

3HX SERIES, THREE ELEMENT FLUOROPOLYMER (PTFE) HEATERS					
WATTS	VOLTS	HOT ZONE	OVERALL LENGTH	MODEL NUMBER	SHIP WGT. Lbs./ (kg)
		In./ (mm)	In./ (mm)		
1000	120	9	17	3HX1117-1**	10
	240	(230)	(430)	3HX1217-**	(4.5)
1500	120	15	23	3HX1.5123-1**	11
	240	(380)	(585)	3HX1.5223-**	(5)
	480			3HX1.5423-**	
2000	120	21	29	3HX2129-1**	12
	240	(535)	(735)	3HX2229-**	(5.5)
	480			3HX2429-**	
3000	240	28	35	3HX3235-**	14
	480	(710)	(890)	3HX3435-**	(6.5)
4000	240	38	47	3HX4247-**	17
	480	(965)	(1195)	3HX4447-**	(8)
5000	240	47	59	3HX5259-**	20
	480	(1195)	(1500)	3HX5459-**	(9)
6000	240	55	68	3HX6268-**	23
	480	(1400)	(1725)	3HX6468-**	(10.5)

Three phase standard.

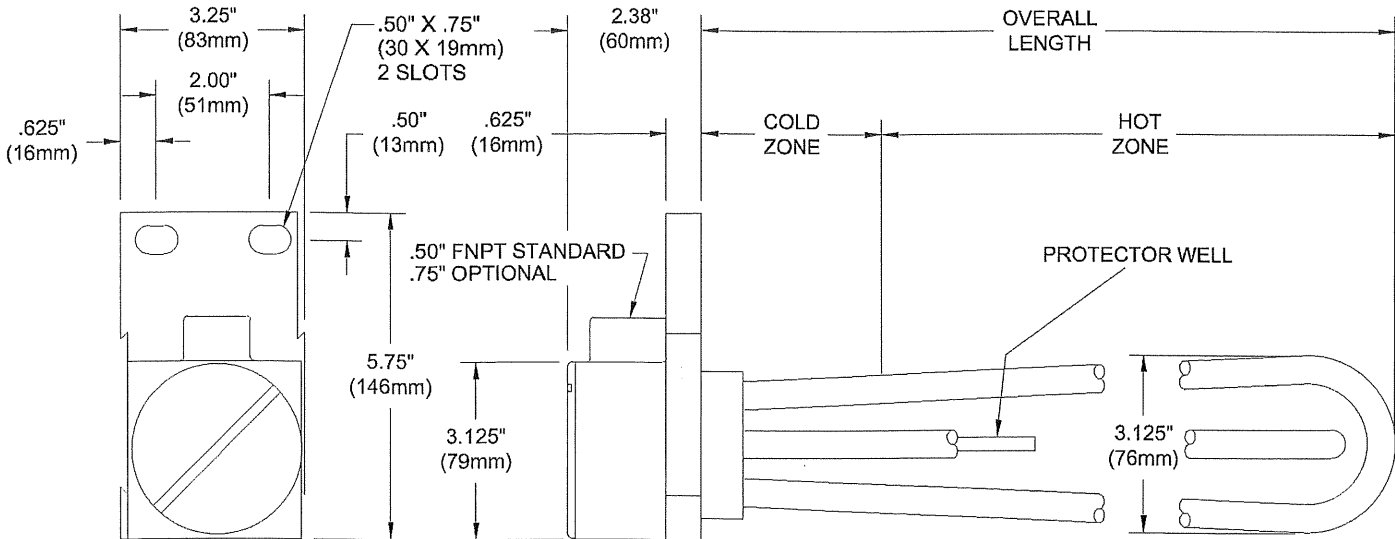
Product Features and Benefits:

- ◆ **SUPERIOR CHEMICAL RESISTANCE:** Inert to most aqueous acid, alkaline, anodizing and pickling solutions up to 212°F (100°C).
- ◆ **RUGGED CONSTRUCTION:** Heavy wall fluoropolymer (PTFE) covered stainless steel element reduces permeation and eliminates the need for gas purge systems. Guaranteed 100% pinhole free.
- ◆ **OUTSTANDING PERFORMANCE:** Low watt density design (10 watts/square inch, 1.5w/cm²) for long service life.
- ◆ **CORROSION RESISTANT HEAD:** Vapor tight, flame retardant polypropylene terminal enclosure with 3-foot (.9m) flexible PVC liquid tight conduit.
- ◆ **SAFETY FEATURES:**
 - Grounded internal metal element.
 - Thermal protector built in. Replaceable PT-I fuse standard for solutions up to 190°F (88°C).
 - Non-floating construction.
- ◆ **CERTIFICATIONS:** UL, CSA, and CE.
- ◆ **SIZES:** 1,000 watts to 6,000 watts.
- ◆ **VOLTAGES:** 120, 240 or 480 volts. 208, 380, 415, 600 and other voltages available. Three phase standard, single phase available.
- ◆ **OPTIONS AVAILABLE (consult factory):**
 - Replaceable thermal protectors:
 - PT-IM: for solutions from 190°F (88°C) to 220°F (104°C).
 - Resettable thermal protectors:
 - PT-II: bi-metal switch for solutions up to 190°F (88°C).
 - PT-III: type-J thermocouple for solutions from 190°F (88°C) to 210°F (99°C).
 - PIII: type-J thermocouple for solutions from 210°F (99°C) to 250°F (121°C).
 - Longer vertical lengths (cold zones).
 - Polypropylene guards: recommended for applications up to 180°F (82°C).
 - Fluoropolymer (PTFE) guards: recommended for chromic acid or solutions over 180°F (82°C).
 - Special configurations.
 - Longer wire and conduit lengths.
 - Lower watt densities for highly viscous solutions and technical acids.
 - Temperature and level controls sized to match the heater.

ANDERSON-BOLDS

24050 COMMERCE PARK • CLEVELAND, OHIO 44122
 CLEVELAND • COLUMBUS • CINCINNATI
 (216) 360-9800 (614) 885-3933 (513) 528-5680
 www.anderson-bolds.com

DIMENSIONS



THREE ELEMENT FLUOROPOLYMER (PTFE) HEATER

Series	Wattage	Voltage	Overall Length	Options	Type of Fuse	Wire and Conduit Length																
	1 = 1000 1.5 = 1500 2 = 2000 3 = 3000 4 = 4000 5 = 5000 6 = 6000	1 = 120 2 = 240 4 = 480 -208- = 208 -277- = 277 -380- = 380 -415- = 415 -600- = 600	17 = 1kW 23 = 1.5kW 29 = 2kW 35 = 3kW 47 = 4kW 59 = 5kW 68 = 6kW			no designator = 36" length standard specify variations from standard Ex: -X84 = 84"																
	3HX = PTFE 3HS = 304 stainless steel					<table border="1" style="width: 100%; border-collapse: collapse;"> <thead> <tr> <th colspan="2" style="text-align: center;">Replaceable Fuse</th> </tr> </thead> <tbody> <tr> <td style="width: 30%;">-PT-I (std)</td> <td>for solutions up to 190°F</td> </tr> <tr> <td>-PT-IM</td> <td>for 190° - 220°F solutions</td> </tr> <tr> <th colspan="2" style="text-align: center;">Resettable Fuse</th> </tr> <tr> <td colspan="2" style="text-align: center;">(additional control components required)</td> </tr> <tr> <td>-PT-II</td> <td>for solutions up to 190°F</td> </tr> <tr> <td>-PT-III</td> <td>for 190° - 210°F solutions</td> </tr> <tr> <td>-PIII</td> <td>for 210° - 250°F solutions</td> </tr> </tbody> </table>	Replaceable Fuse		-PT-I (std)	for solutions up to 190°F	-PT-IM	for 190° - 220°F solutions	Resettable Fuse		(additional control components required)		-PT-II	for solutions up to 190°F	-PT-III	for 190° - 210°F solutions	-PIII	for 210° - 250°F solutions
Replaceable Fuse																						
-PT-I (std)	for solutions up to 190°F																					
-PT-IM	for 190° - 220°F solutions																					
Resettable Fuse																						
(additional control components required)																						
-PT-II	for solutions up to 190°F																					
-PT-III	for 190° - 210°F solutions																					
-PIII	for 210° - 250°F solutions																					
<table border="1" style="width: 100%; border-collapse: collapse;"> <tr> <td style="padding: 5px;"> X = any special configuration not called out in the part number (specify in clear text) -C = complete with guard no designator = three phase power (standard) -1 = single phase power </td> </tr> </table>							X = any special configuration not called out in the part number (specify in clear text) -C = complete with guard no designator = three phase power (standard) -1 = single phase power															
X = any special configuration not called out in the part number (specify in clear text) -C = complete with guard no designator = three phase power (standard) -1 = single phase power																						

ORDERING EXAMPLE:

3HX15223-PT-I-X50

Three element fluoropolymer heater, 1500 watts, 240 volt, three phase, 23" overall length, PT-I thermal fuse, 50" wire and conduit



ANDERSON-BOLDS

24050 COMMERCE PARK • CLEVELAND, OHIO 44122

CLEVELAND • COLUMBUS • CINCINNATI

(216) 360-9800

(614) 885-3933

(513) 528-5680

www.anderson-bolds.com