

6HX SERIES, SIX ELEMENT FLUOROPOLYMER (PTFE) HEATERS					
WATTS	VOLTS	HOT ZONE In./(mm)	OVERALL LENGTH In./(mm)	MODEL NUMBER	SHIP WGT. Lbs./(kg)
2000	120	9	17	6HX2117-1**	19
	240	(230)	(430)	6HX2217-***	(8.5)
	480			6HX2417-***	
3000	240	15	23	6HX3223-***	22
	480	(380)	(585)	6HX3423-***	(10)
4000	240	21	29	6HX4229-***	24
	480	(535)	(735)	6HX4429-***	(11)
6000	240	28	35	6HX6235-***	27
	480	(710)	(890)	6HX6435-***	(12.5)
8000	240	38	47	6HX8247-***	33
	480	(965)	(1195)	6HX8447-***	(15)
10000	240	47	59	6HX10259-***	40
	480	(1195)	(1500)	6HX10459-***	(18)
12000	240	55	68	6HX12268-***	45
	480	(1400)	(1725)	6HX12468-***	(20.5)

Three phase standard. Single phase available as option. Add "-1" before thermal protector designator.

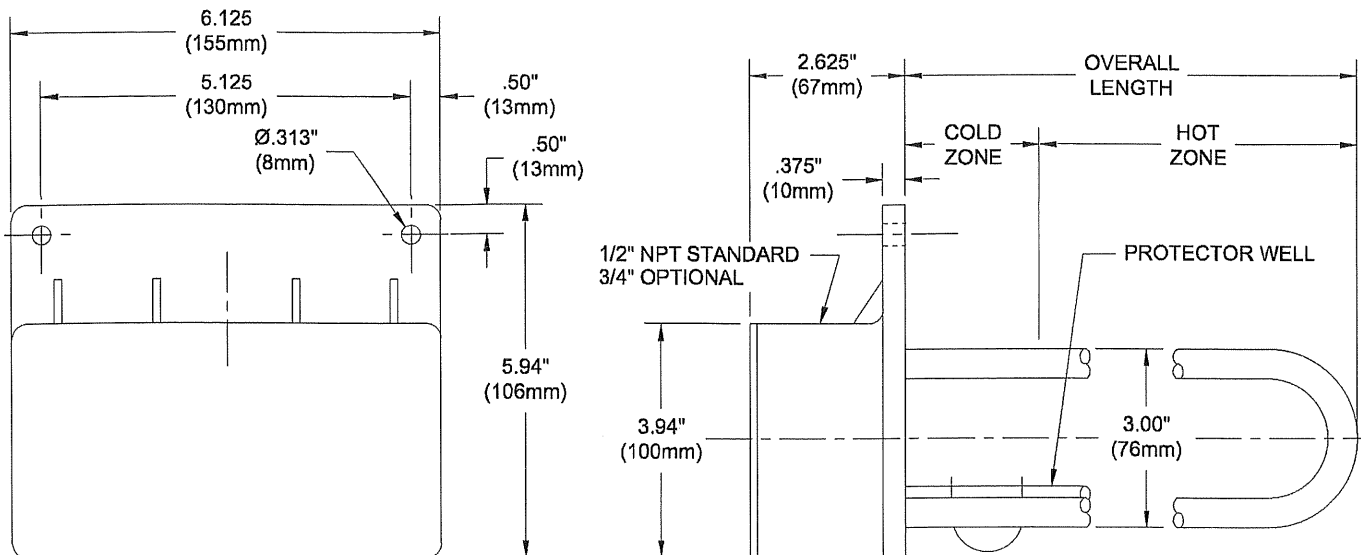
Product Features and Benefits:

- ◆ **SUPERIOR CHEMICAL RESISTANCE:** Inert to most aqueous acid, alkaline, anodizing and pickling solutions up to 212°F (100°C).
- ◆ **RUGGED CONSTRUCTION:** Heavy wall fluoropolymer (PTFE) covered stainless steel element reduces permeation and eliminates the need for gas purge systems. Guaranteed 100% pinhole free.
- ◆ **OUTSTANDING PERFORMANCE:** Low watt density design (10 watts/square inch, 1.5w/cm²) for long service life. Excellent choice for electroless chemistries.
- ◆ **CORROSION RESISTANT HEAD:** Vapor tight, flame retardant polypropylene terminal enclosure with 3-foot (.9m) flexible PVC liquid tight conduit.
- ◆ **SAFETY FEATURES:**
 - Grounded internal metal element.
 - Thermal protector built in. Replaceable PT-I fuse standard for solutions up to 190°F (88°C).
 - Non-floating construction.
- ◆ **CERTIFICATIONS:** UL, CSA, and CE.
- ◆ **SIZES:** 2,000 watts to 12,000 watts.
- ◆ **VOLTAGES:** 120, 240 or 480 volts. 208, 380, 415, 600 and other voltages available. Three phase standard, single phase available.
- ◆ **OPTIONS AVAILABLE (consult factory):**
 - Resettable thermal protectors:
 - PT-II bi-metal switch: for solutions up to 190°F (88°C).
 - PT-III type-J thermocouple for solutions from 190°F (88°C) to 210°F (99°C).
 - PIII type-J thermocouple for solutions from 210°F (99°C) to 250°F (121°C).
 - Polypropylene guards: recommended for applications up to 180°F (82°C).
 - Fluoropolymer (PTFE) guards: recommended for chromic acid or solutions over 180°F (82°C).
 - L-Shaped and other special configurations.
 - Longer wire and conduit lengths.
 - Lower watt densities for highly viscous solutions and technical acids.
 - Temperature and level controls sized to match the heater.

ANDERSON-BOLDS

24050 COMMERCE PARK • CLEVELAND, OHIO 44122
 CLEVELAND • COLUMBUS • CINCINNATI
 (216) 360-9800 (614) 885-3933 (513) 528-5680
 www.anderson-bolds.com

DIMENSIONS



6 ELEMENT FLUOROPOLYMER (PTFE) HEATER

Series	Wattage	Voltage	Overall Length	Options	Type of Fuse	Wire and Conduit Length																
	2 = 2000 3 = 3000 4 = 4000 6 = 6000 8 = 8000 10 = 10000 12 = 12000	1 = 120 2 = 240 4 = 480 -208- = 208 -277- = 277 -380- = 380 -415- = 415 -600- = 600	17 = 2kW 23 = 13kW 29 = 4kW 35 = 6kW 47 = 8kW 59 = 10kW 68 = 12kW			36" length standard (no designator) specify variations from standard Ex: -X84 = 84"																
	6HX = PTFE 6HS = 304 stainless steel					<table border="1" style="width: 100%; border-collapse: collapse;"> <thead> <tr> <th colspan="2" style="text-align: center;">Replaceable Fuse</th> </tr> </thead> <tbody> <tr> <td style="width: 30%;">-PTI (std)</td> <td>for solutions up to 190°F</td> </tr> <tr> <td>-PTIM</td> <td>for 190° - 220°F solutions</td> </tr> <tr> <th colspan="2" style="text-align: center;">Resettable Fuse</th> </tr> <tr> <td colspan="2" style="text-align: center;">(additional control components required)</td> </tr> <tr> <td>-PT-II</td> <td>for solutions up to 190°F</td> </tr> <tr> <td>-PT-III</td> <td>for 190° - 210°F solutions</td> </tr> <tr> <td>-PIII</td> <td>for 210° - 250°F solutions</td> </tr> </tbody> </table>	Replaceable Fuse		-PTI (std)	for solutions up to 190°F	-PTIM	for 190° - 220°F solutions	Resettable Fuse		(additional control components required)		-PT-II	for solutions up to 190°F	-PT-III	for 190° - 210°F solutions	-PIII	for 210° - 250°F solutions
Replaceable Fuse																						
-PTI (std)	for solutions up to 190°F																					
-PTIM	for 190° - 220°F solutions																					
Resettable Fuse																						
(additional control components required)																						
-PT-II	for solutions up to 190°F																					
-PT-III	for 190° - 210°F solutions																					
-PIII	for 210° - 250°F solutions																					
X = any special configuration not called out in the number (specify in clear text) -C = complete with guard no designator = three phase power (standard) -1 = single phase power																						

ORDERING EXAMPLE:

6HX8247C-PT-II

6 element, fluoropolymer, 8,000 watts, 240 volt, 47" overall length, complete with guard, PT-II fuse.



ANDERSON-BOLDS

24050 COMMERCE PARK • CLEVELAND, OHIO 44122

CLEVELAND • COLUMBUS • CINCINNATI

(216) 360-9800

(614) 885-3933

(513) 528-5680

www.anderson-bolds.com