

9HX SERIES, NINE ELEMENT FLUOROPOLYMER (PTFE) HEATERS					
WATTS	VOLTS	HOT ZONE	OVERALL LENGTH	MODEL NUMBER	SHIP WGT. Lbs./kg)
		In./(mm)	In./(mm)		
3000	240	9	17	9HX3217-**	28
	480	(230)	(430)	9HX3417-**	(13)
4500	240	15	23	9HX4.5223-**	33
	480	(380)	(585)	9HX4.5423-**	(15)
6000	240	21	29	9HX6229-**	36
	480	(535)	(735)	9HX6429-**	(16.5)
9000	240	28	35	9HX9235-**	40
	480	(710)	(890)	9HX9435-**	(18)
12000	240	38	47	9HX12247-**	49
	480	(965)	(1195)	9HX12447-**	(22.5)
15000	240	47	59	9HX15259-**	60
	480	(1195)	(1500)	9HX15459-**	(27.5)
18000	240	55	68	9HX18268-**	67
	480	(1400)	(1725)	9HX18468-**	(30.5)

Three phase standard. Single phase available as option. Add "-1" before thermal protector designator.

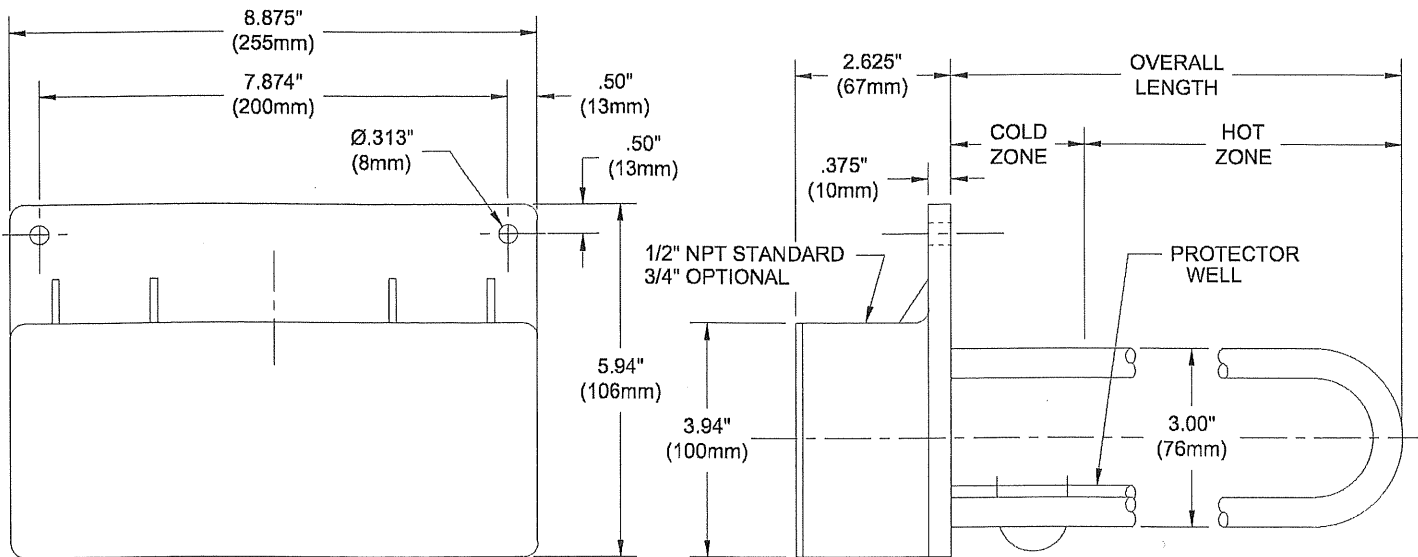
Product Features and Benefits:

- ◆ **SUPERIOR CHEMICAL RESISTANCE:** Inert to most aqueous acid, alkaline, anodizing and pickling solutions up to 212° F (100° C).
- ◆ **RUGGED CONSTRUCTION:** Heavy wall fluoropolymer (PTFE) covered stainless steel element reduces permeation and eliminates the need for gas purge systems. Guaranteed 100% pinhole free.
- ◆ **OUTSTANDING PERFORMANCE:** Low watt density design (10 watts/square inch, 1.5w/cm²) for long service life. Excellent choice for electroless chemistries.
- ◆ **CORROSION RESISTANT HEAD:** Vapor tight, flame retardant polypropylene terminal enclosure with 3-foot (.9m) flexible PVC liquid tight conduit.
- ◆ **SAFETY FEATURES:**
 - Grounded internal metal element.
 - Thermal protector built in. Replaceable PT-I fuse standard for solutions up to 190° F (88° C).
 - Non-floating construction.
- ◆ **CERTIFICATIONS:** UL, CSA, and CE.
- ◆ **SIZES:** 3,000 watts to 18,000 watts.
- ◆ **VOLTAGES:** 120, 240 or 480 volts. 208, 380, 415, 600 and other voltages available. Three phase standard, single phase available.
- ◆ **OPTIONS AVAILABLE (consult factory):**
 - Resettable thermal protectors:
 - PT-II bi-metal switch: for solutions up to 190° F (88° C).
 - PT-III type-J thermocouple for solutions from 190° F (88° C) to 210° F (99° C).
 - PIII type-J thermocouple for solutions from 210° F (99° C) to 250° F (121° C).
 - Polypropylene guards: recommended for applications up to 180° F (82° C).
 - Fluoropolymer (PTFE) guards: recommended for chromic acid or solutions over 180° F (82° C).
 - L-Shaped and other special configurations.
 - Longer wire and conduit lengths.
 - Lower watt densities for highly viscous solutions and technical acids.
 - Temperature and level controls sized to match the heater.

ANDERSON-BOLDS

24050 COMMERCE PARK • CLEVELAND, OHIO 44122
 CLEVELAND • COLUMBUS • CINCINNATI
 (216) 360-9800 (614) 885-3933 (513) 528-5680
 www.anderson-bolds.com

DIMENSIONS



9 ELEMENT FLUOROPOLYMER (PTFE) HEATER

Series	Wattage	Voltage	Overall Length	Options	Type of Fuse	Wire and Conduit Length																
	3 = 3000 4.5 = 4000 6 = 6000 9 = 9000 12 = 12000 15 = 15000 18 = 18000	1 = 120 2 = 240 4 = 480 -208 = 208 -380 = 380 -415 = 415 -600 = 600	17 = 3kW 23 = 4.5kW 29 = 6kW 35 = 9kW 47 = 12kW 59 = 15kW 68 = 18kW			no designator = 36" length standard specify variations from standard Ex: -X84 = 84" wire and conduit																
	9HX = PTFE 9HS = 304 stainless steel				<table border="1" style="width: 100%; border-collapse: collapse;"> <thead> <tr> <th colspan="2" style="text-align: center;">Replaceable Fuse</th> </tr> </thead> <tbody> <tr> <td style="width: 30%;">-PTI (std)</td> <td>for solutions up to 190°F</td> </tr> <tr> <td>-PTIM</td> <td>for 190° - 220°F solutions</td> </tr> <tr> <th colspan="2" style="text-align: center;">Resettable Fuse</th> </tr> <tr> <td colspan="2" style="text-align: center;">(additional control components required)</td> </tr> <tr> <td>-PT-II</td> <td>for solutions up to 190°F</td> </tr> <tr> <td>-PT-III</td> <td>for 190° - 210°F solutions</td> </tr> <tr> <td>-PIII</td> <td>for 210° - 250°F solutions</td> </tr> </tbody> </table>	Replaceable Fuse		-PTI (std)	for solutions up to 190°F	-PTIM	for 190° - 220°F solutions	Resettable Fuse		(additional control components required)		-PT-II	for solutions up to 190°F	-PT-III	for 190° - 210°F solutions	-PIII	for 210° - 250°F solutions	
Replaceable Fuse																						
-PTI (std)	for solutions up to 190°F																					
-PTIM	for 190° - 220°F solutions																					
Resettable Fuse																						
(additional control components required)																						
-PT-II	for solutions up to 190°F																					
-PT-III	for 190° - 210°F solutions																					
-PIII	for 210° - 250°F solutions																					
X = any special configuration not called out in the number (specify in clear text) -C = complete with guard no designator = three phase power (standard) -1 = single phase power																						

ORDERING EXAMPLE:

9HX6229-PT-II-X84

9 element, fluoropolymer, 6,000 watts, 240 volt, 29" overall length, PT-II fuse, 84" wire and conduit.



ANDERSON-BOLDS

24050 COMMERCE PARK • CLEVELAND, OHIO 44122

CLEVELAND • COLUMBUS • CINCINNATI

(216) 360-9800

(614) 885-3933

(513) 528-5680

www.anderson-bolds.com