

CONVECTRONICS



SIEMENS

SOLID STATE CONTACTORS

Single & Three Phase

Standards/Approvals: DIN EN 60947-4-3, UL508/CSA, CE



1Ø 600v 4-30VDC Input		3Ø 600v 4-30VDC Input	
Ampacity	Part Number	Ampacity	Part Number
10amp	3RF2310-1AA45	10amp	3RF2410-1AC45
20amp	3RF2320-1AA45	20amp	3RF2420-1AC45
30amp	3RF2330-1AA45	30amp	3RF2430-1AC45
40amp	3RF2340-1AA45	40amp	3RF2440-1AC45
50amp	3RF2350-1AA45	50amp	3RF2450-1AC45

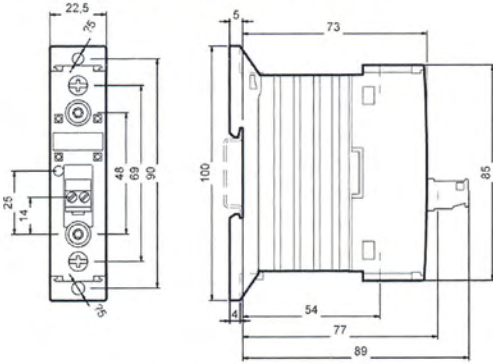


ANDERSON-BOLDS
 24050 COMMERCE PARK • CLEVELAND, OHIO 44122
 CLEVELAND • COLUMBUS • CINCINNATI
 (216) 360-9800 (614) 885-3933 (513) 528-5680
www.anderson-bolds.com



3 RF 23xx Solid State Contactors, 1-Phase

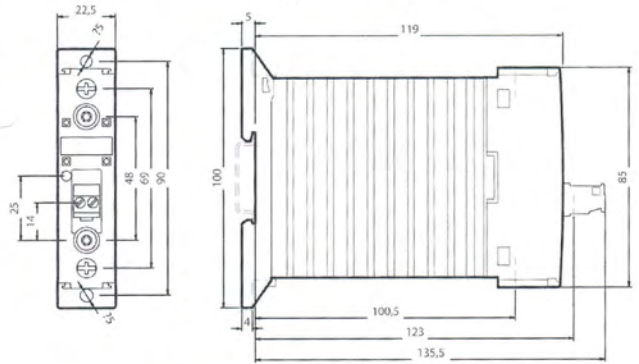
10 A type current



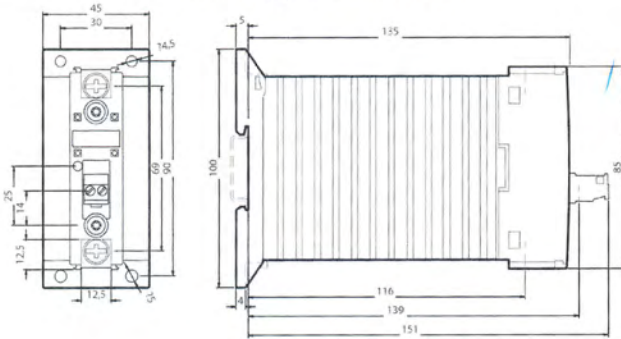
ANDERSON-BOLDS

CLEVELAND (216) 360-9800
 COLUMBUS (614) 885-3933
 CINCINNATI (513) 528-5680
www.anderson-bolds.com

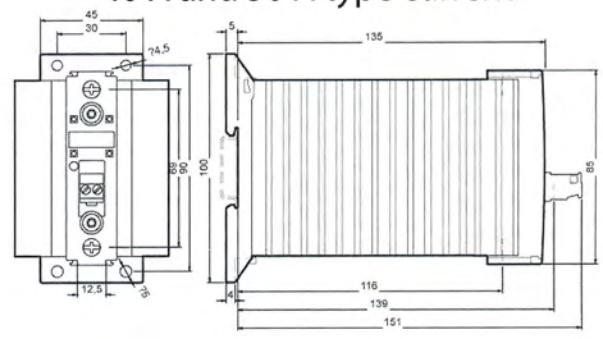
20 A type current



30 A type current

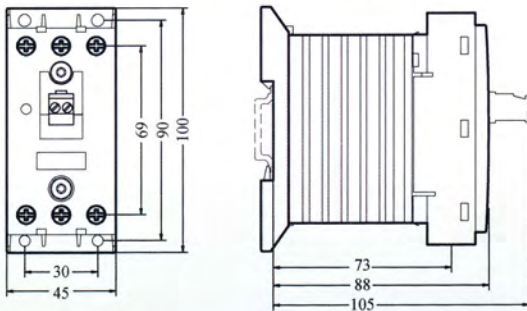


40 A and 50 A type current

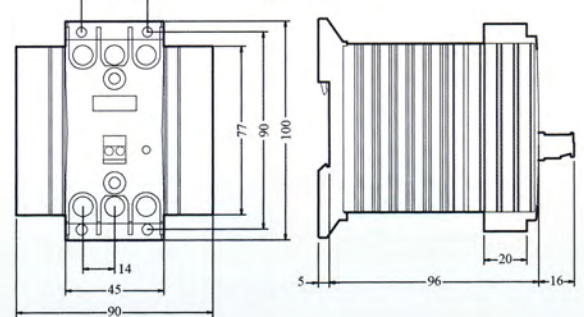


3 RF 24xx Solid State Contactors, 3-Phase

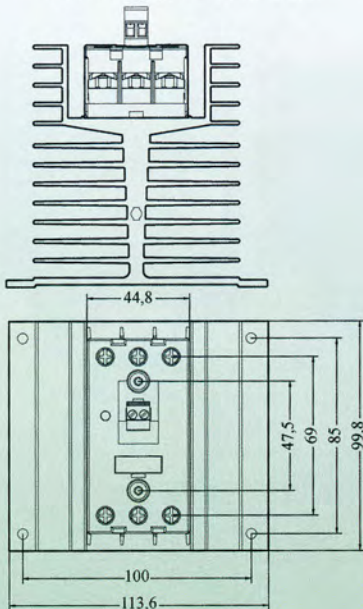
10 A type current



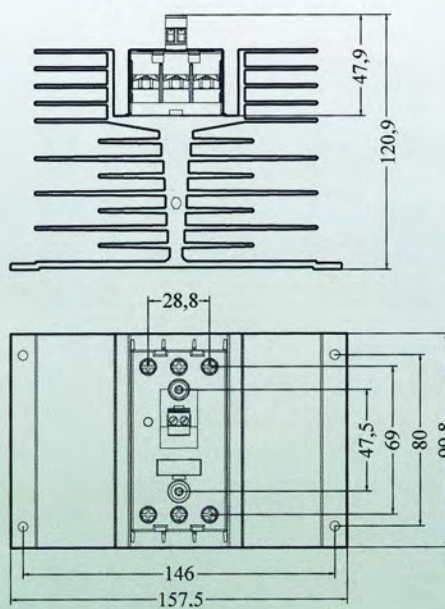
20 A type current



30 A type current



40 A type current



50 A type current

