

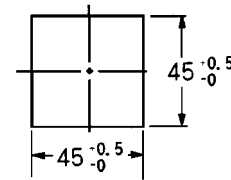
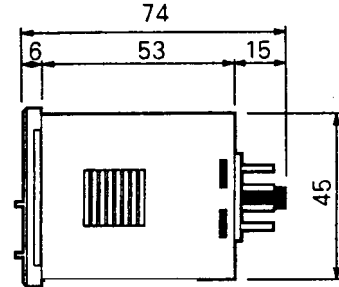
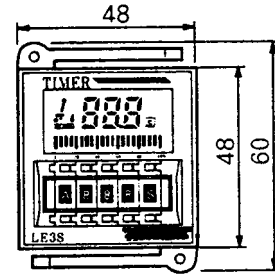
LE3S SERIES



LCD Multi-Function Multi-Range Digital



DIMENSIONS
MILLIMETERS



1/16 DIN
TIMERS

FEATURES

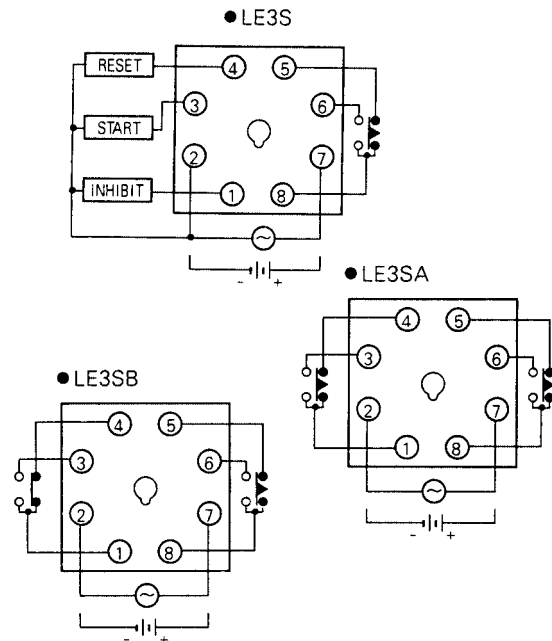
- Operating Voltage Flexibility (100-240VAC or 24-240VDC)
- Ten Timing Modes
- Ten Timing Ranges
- Three Digit Digital Display
- 0-100% Bar Graph Display
- Graphic Relay Contact Display
- 5 Amp Relay Contacts
- 1/16 DIN Front Panel
- Front Panel Mode/Range Selections
- Economically Priced

OPERATION

The LE3S is a universal digital timer that features excellent application flexibility with 10 timing ranges and 10 counting modes that are front panel, user selectable. The LCD provides the operator a wide range of information; output relay contact status, time remaining during timing cycle, a bar graph that indicates percentage of elapsed time in the cycle, and time unit. The time preset is indicated on the pushwheel switches as is the time range and timing mode. The universal AC/DC input allows the LE3S to be powered by AC voltage from 90 to 240VAC (50/60 Hz.) or DC voltage from 24 to 240VDC. The 1/16 DIN size timer can be front panel mounted using supplied panel mount clips or it can be base mounted using an appropriate 8-Pin socket.

Two ON-Delay only models are also available; Model LE3SA which provides a DPDT timed output, and Model LE3SB which provides a SPDT timed output and a SPDT instantaneous output.

WIRING



SPECIFICATIONS (All Models)

TIMING RANGES

- 0.01 Sec. to 9.99 Sec.
- 0.1 Sec. to 99.9 Sec.
- 1 Sec. to 999 Sec.
- 0.1 Min. to 99.9 Min.
- 1 Min. to 999 Min.
- 0.1 Hr. to 99.9 Hr.
- 1 Hr. to 999 Hr.
- 10 Hr. to 9990 Hr.
- 0 Min. 1 Sec. to 9 Min. 59 Sec.
- 0 Hr. 1 Min. to 9 Hr. 59 Min.

TIME SETTING

Front Panel Pushwheel Switch

TIME REPEAT ACCURACY

- ±0.005% Timing
- ±0.03 Sec. for Input Signals
- ±0.05 Sec. on Power Up

CONTROL VOLTAGE INITIATE TIME

0.05 Sec.

MEMORY

Non-Volatile Circuitry

POWER CONSUMPTION

5 VA

RELAY MECHANICAL LIFE

10 Million

DISPLAY

LCD Numeric & Graphic

TERMINATION

8-Pin Plug-In

MOUNTING

Front Panel or Plug-In Base

OPERATING TEMPERATURE

14° to 131°F (-10° to +55°C)

LE3SA ONLY

TIMING MODE

ON-Delay-Sustained Start

SELF RESET

10mS

OPERATING POWER

110VAC; Optional— 220VAC

RELAY OUTPUT

2 SPDT Timed

LE3S ONLY

TIMING MODES

(NO SWITCH LE3SA & B)

A On-Delay - Sustained Start

Resets with Either Reset Input or Removal of Start

B Interval Delay - Sustained Start

Resets with Either Reset Input or Removal of Start

C On-Delay - Momentary or Sustained Start

Resets Only With Reset Input

D Repeat Cycle - Off Time First - Sustained Start

Resets With Either Reset Input or Removal of Start

E Repeat Cycle - On Time First - Momentary or Sustained Start -

Reset Only With Reset Input

F Repetitive Pulse

Pulse Output 0.3 Sec. - Sustained or Momentary Start - Reset Only With Reset Input

H Off Delay

Reset With Reset Input or By Applying Start

K On/Off Delay

Really An Interval Function - Triggered By Applying Start and Again By Removing Start. Reset Only With Reset Input

L One Shot Output (Interval)

Sustained or Momentary Start - Reset With Reset Input or By Applying Start.

N Time Accumulation With Start Input -

Reset Only With Reset Input **RESET/START/INHIBIT**

INPUT

TIME

0.02 Sec. Min.

SELF RESET

30mS

OPERATING POWER

90-264VAC, 50/60 Hz., 24-240VDC

RELAY OUTPUT

SPDT, 5A, 250VAC

LE3SB ONLY

TIMING MODE

On-Delay-Sustained Start

SELF RESET

10mS

OPERATING POWER

110 VAC; Optional—220VAC

RELAY OUTPUT

1 SPDT Timed

1 SPDT Instant

ORDERING INFORMATION

| Part Number | Description |
|--------------------|--|
| LE3S | Timer, Multi-Function, LCD 1/16 DIN |
| LE3SA-110 | Timer, ON-Delay, 110VAC*, 2 DPDT Timed Outputs |
| LE3SB-110 | Timer, ON-Delay, 110VAC*, 1SPDT Timed, 1SPDT Instant Outputs |
| A600-3-0011 | Socket, 8 Pin, Panel Mount, Bottom Screw |
| A600-3-0013 | Socket, 8 Pin, DIN Rail, Top Screw |
| *220VAC Available | |