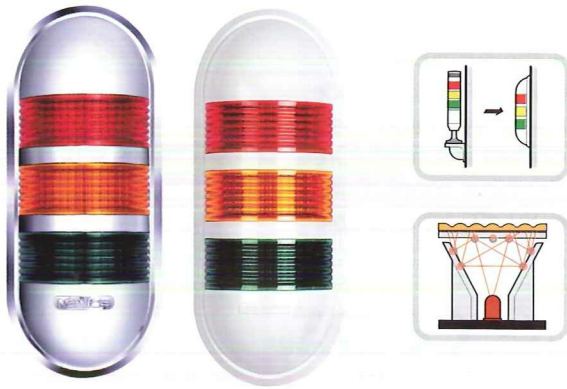


PWE

Wall Mounted LED Tower Lights with Buzzer

TOWER LIGHTS



- Slim Profile Wall Mount
- Easy Mounted vertically and horizontally
- Equivalent brightness in every angle
- Steady and flashing lights
- Vibration and moisture resistant
- Chrome or tan colored body

Order Information

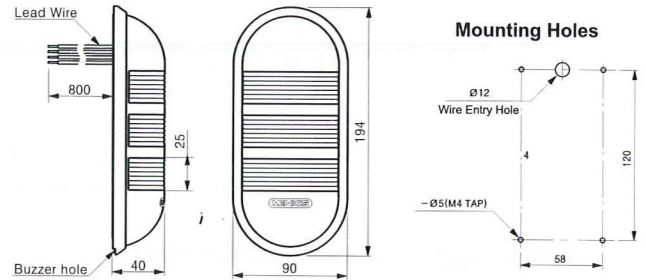
PWE **C** **F** - **3** **02** - **RYG**
 ① ② ③ ④ ⑤

① Housing Color	C	Cream
		Chrome
② Light Style	F	Steady
	B	Steady & Flashing
	Z	Steady with Buzzer
③ Number of Stacks	1	1 Light
	2	2 Lights
	3	3 Lights
④ Power Supply	02	DC/AC 24V
	FF	AC 90~240V
⑤ Lens Colors (top to bottom)	R	Red
	Y	Yellow
	G	Green

Specifications

Power Supply	24V AC/DC	90~240V AC	
Current Draw	1 Stack	28 mA	30 mA
	2 Stack	63 mA	65 mA
	3 Stack	103 mA	100 mA
Sound Level	85 dB		
Flashing rate	80 times/minute		
Rating	IP 65/ IP 56 with Buzzer		

Dimensions

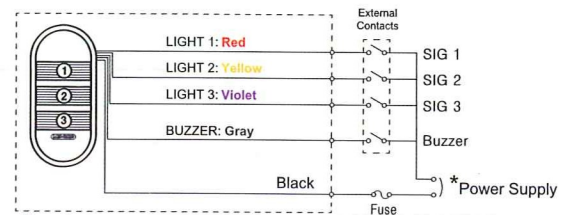


Wiring Diagram

DC/AC 24V

Steady Lights (with Buzzer)

PWE-□02-□□□ PWEB-□02-□□□

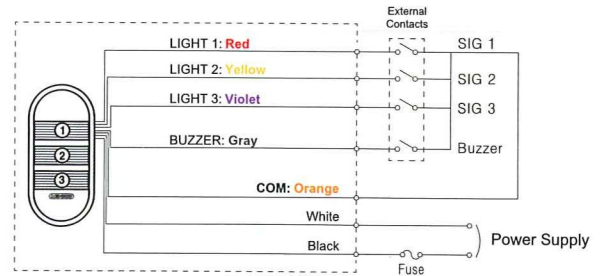


* No polarity for DC applications.

AC 90~240V

Steady Lights (with Buzzer)

PWE-□FF-□□□ PWEB-□FF-□□□



AC 90~240V

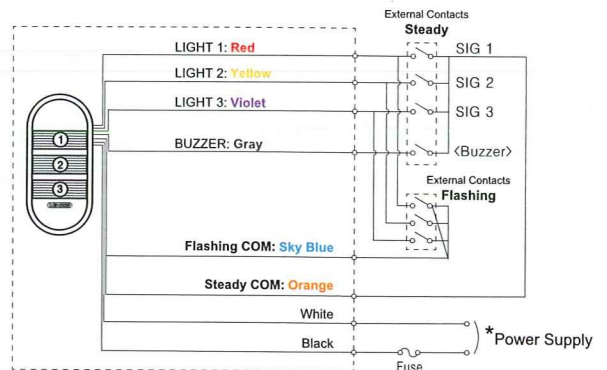
DC/AC 24V

Steady & Flashing Lights (with Buzzer)

PWEF-□02-□□□

PWEZ-□02-□□□

PWEF-□FF-□□□



* No polarity for DC applications.