

**ANDERSON-BOLDS**

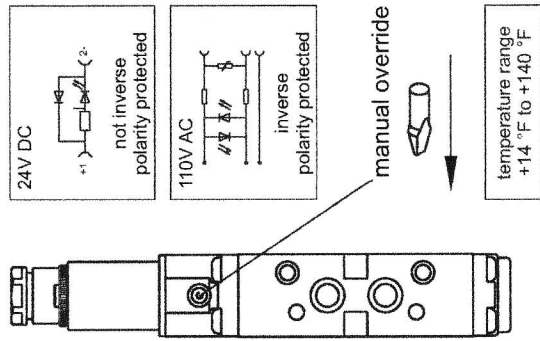
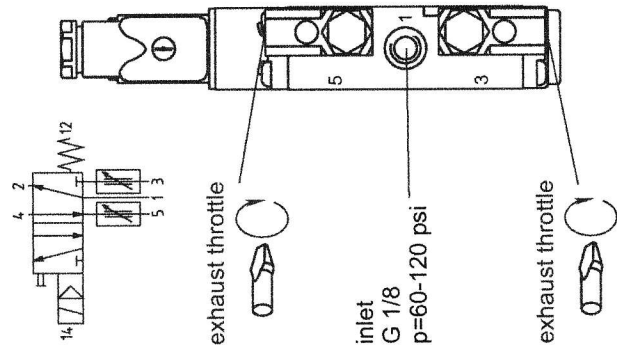
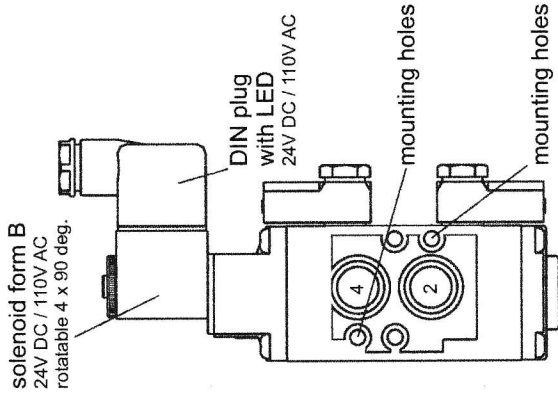
HEATING, SYSTEMS & CONTROLS  
OHIO AND SURROUNDING STATES

(866) 360-9810

[www.anderson-bolds.com](http://www.anderson-bolds.com)



assembly instructions  
5/2-way pilot valve  
NAMUR  
solenoid operated



CXF NC (CXF DR NC)

No 4 (Torque=3.7 to 4.4 lbf/ft)

CXF NO (CXF DR NO)

No 4 (Torque=3.7 to 4.4 lbf/ft)

