

SV73 Series

3-Way Direct Acting Solenoid Valves

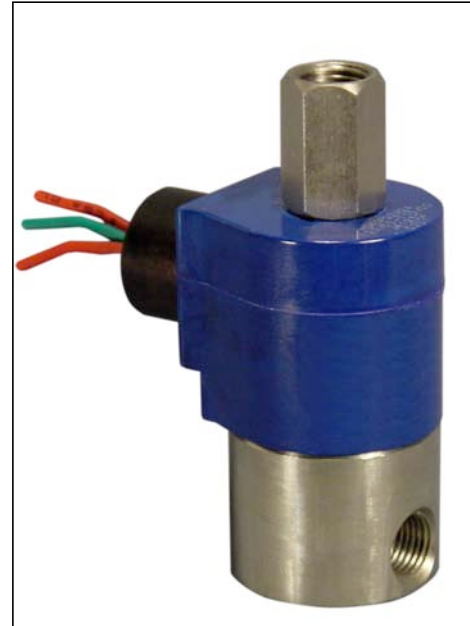
SV733 • Normally Closed

SV734 • Normally Open

SV736 • Universal

Featuring stainless steel body construction as standard, the SV73 series 3-way direct acting solenoid valves are designed for controlling air, gas, water, light oil, and a wide variety of other compatible fluid media. These sturdy valves are offered with Viton seals, standard 1/8" and 1/4" NPT pipe connections, and orifice sizes ranging from 3/64" to 1/4". For special applications, contact your Valcor customer service representative.

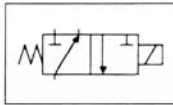
Specifications



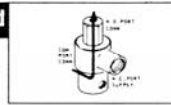
Valve Selection Sheet

| Pipe Size (in.) NPT | Orifice (in.) | | Cv | | Operating Pressure Differential | | | | | | Fluid Temp. °F | Body Code | Housing | Power Consumption (W) | | Coil Insulation | Voltage 60 HZ | Model Code |
|------------------------|---------------|-----|------|-----|---------------------------------|----|-------|----|---------|----|----------------|-----------|---------|-----------------------|----|-----------------|---------------|------------|
| | Body | Top | Body | Top | Max. PSI | | | | | | | | | AC | DC | | | |
| | | | | | Air/Gas | | Water | | Lt. Oil | | | | | | | | | |
| | | | | | AC | DC | AC | DC | AC | DC | | | | | | | | |

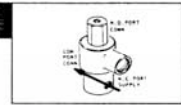
Normally Closed



De-energized

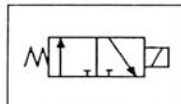


Energized

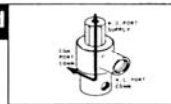


| | | | | | | | | | | | | | | | | | | |
|-----|------|------|------|------|-----|-----|-----|-----|-----|-----|-----|---|---|----|----|---|-----|----------------|
| 1/8 | 3/64 | 1/16 | 0.05 | 0.10 | 200 | 200 | 200 | 200 | 200 | 200 | 230 | 2 | G | 10 | 10 | F | 120 | SV733GF02V2AV1 |
| | 1/16 | 1/16 | 0.08 | 0.10 | 150 | 150 | 150 | 150 | 150 | 150 | 230 | 2 | G | 10 | 10 | F | 120 | SV733GF02V2AC5 |
| | 3/32 | 3/32 | 0.18 | 0.23 | 100 | 100 | 100 | 100 | 100 | 100 | 230 | 2 | G | 10 | 10 | F | 120 | SV733GF02V2AC9 |
| | 1/8 | 3/32 | 0.30 | 0.23 | 75 | 75 | 75 | 75 | 75 | 75 | 230 | 2 | G | 10 | 10 | F | 120 | SV733GF02V2AV3 |
| | 3/16 | 3/32 | 0.53 | 0.23 | 30 | 30 | 30 | 30 | 30 | 30 | 230 | 2 | G | 10 | 10 | F | 120 | SV733GF02V2AV9 |
| 1/4 | 3/64 | 1/16 | 0.05 | 0.10 | 200 | 200 | 200 | 200 | 200 | 200 | 230 | 3 | G | 10 | 10 | F | 120 | SV733GF02V3BV1 |
| | 1/16 | 1/16 | 0.08 | 0.10 | 150 | 150 | 150 | 150 | 150 | 150 | 230 | 3 | G | 10 | 10 | F | 120 | SV733GF02V3BC5 |
| | 3/32 | 3/32 | 0.18 | 0.23 | 100 | 100 | 100 | 100 | 100 | 100 | 230 | 3 | G | 10 | 10 | F | 120 | SV733GF02V3BC9 |
| | 1/8 | 3/32 | 0.30 | 0.23 | 75 | 75 | 75 | 75 | 75 | 75 | 230 | 3 | G | 10 | 10 | F | 120 | SV733GF02V3BV3 |
| | 3/16 | 3/32 | 0.53 | 0.23 | 30 | 30 | 30 | 30 | 30 | 30 | 230 | 3 | G | 10 | 10 | F | 120 | SV733GF02V3BV9 |

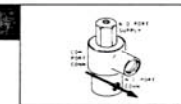
Normally Open



De-energized

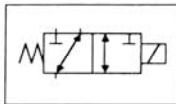


Energized

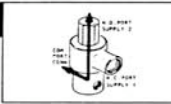


| | | | | | | | | | | | | | | | | | | |
|-----|-----|------|------|------|-----|-----|-----|-----|-----|-----|-----|---|---|----|----|---|-----|----------------|
| 1/8 | 1/8 | 1/16 | 0.36 | 0.10 | 125 | 120 | 125 | 120 | 125 | 120 | 230 | 2 | G | 10 | 10 | F | 120 | SV734GF02V2AV5 |
| | 1/8 | 3/32 | 0.36 | 0.20 | 75 | 25 | 75 | 25 | 75 | 25 | 230 | 2 | G | 10 | 10 | F | 120 | SV734GF02V2AV3 |
| 1/4 | 1/8 | 1/16 | 0.36 | 0.10 | 125 | 120 | 125 | 120 | 125 | 120 | 230 | 3 | G | 10 | 10 | F | 120 | SV734GF02V3BV5 |
| | 1/8 | 3/32 | 0.36 | 0.20 | 75 | 25 | 75 | 25 | 75 | 25 | 230 | 3 | G | 10 | 10 | F | 120 | SV734GF02V3BV3 |
| | 1/4 | 3/32 | 0.80 | 0.20 | 75 | 20 | 75 | 20 | 75 | 20 | 230 | 3 | G | 10 | 10 | F | 120 | SV734GF02V3BW1 |

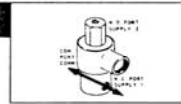
Universal



De-energized



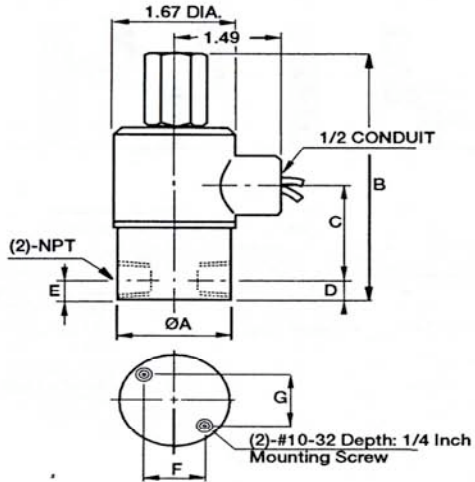
Energized



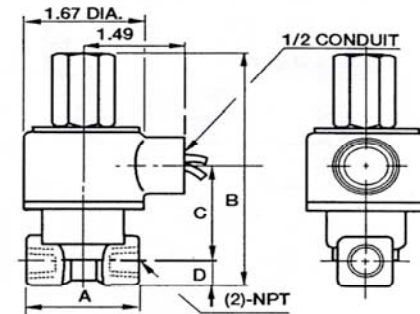
| | | | | | | | | | | | | | | | | | | |
|-----|------|------|------|------|-----|-----|-----|-----|-----|-----|-----|---|---|----|----|---|-----|----------------|
| 1/8 | 3/64 | 1/16 | 0.05 | 0.08 | 150 | 120 | 150 | 120 | 150 | 120 | 230 | 2 | G | 10 | 10 | F | 120 | SV736GF02V2AV1 |
| | 1/16 | 1/16 | 0.08 | 0.08 | 120 | 100 | 120 | 100 | 120 | 100 | 230 | 2 | G | 10 | 10 | F | 120 | SV736GF02V2AC5 |
| | 3/32 | 3/32 | 0.18 | 0.19 | 75 | 25 | 75 | 25 | 75 | 25 | 230 | 2 | G | 10 | 10 | F | 120 | SV736GF02V2AC9 |
| | 1/8 | 3/32 | 0.30 | 0.23 | 50 | 20 | 50 | 20 | 50 | 20 | 230 | 2 | G | 10 | 10 | F | 120 | SV736GF02V2AV3 |
| 1/4 | 3/64 | 1/16 | 0.05 | 0.08 | 150 | 120 | 150 | 120 | 150 | 120 | 230 | 3 | G | 10 | 10 | F | 120 | SV736GF02V3BV1 |
| | 1/16 | 1/16 | 0.08 | 0.08 | 120 | 100 | 120 | 100 | 120 | 100 | 230 | 3 | G | 10 | 10 | F | 120 | SV736GF02V3BC5 |
| | 3/32 | 3/32 | 0.18 | 0.19 | 75 | 25 | 75 | 25 | 75 | 25 | 230 | 3 | G | 10 | 10 | F | 120 | SV736GF02V3BC9 |
| | 1/8 | 3/32 | 0.30 | 0.23 | 50 | 20 | 50 | 20 | 50 | 20 | 230 | 3 | G | 10 | 10 | F | 120 | SV736GF02V3AV3 |

External Dimensions

Type 2 and 3 Bodies



Type 9 Body



| Body Code | Pipe Conn. | A | B | C | D | E | F | G | Weight (lbs.) |
|-----------|------------|------|------|------|------|------|------|------|---------------|
| 2 | 1/8 | 1.22 | 3.48 | 1.63 | 0.29 | 0.29 | 0.61 | 0.73 | 1.00 |
| 3 | 1/4 | 1.56 | 3.80 | 1.66 | 0.34 | 0.34 | 0.88 | 0.88 | 1.20 |
| 9 | 1/8 | 1.63 | 3.60 | 1.63 | 0.37 | na | na | na | 1.00 |
| 9 | 1/4 | 1.63 | 3.84 | 1.71 | 0.37 | na | na | na | 1.20 |

Units:inch