

Safety Light Curtains Body Resolution Series SB2-*/*-D50

CARLO GAVAZZI



- Safety Category 2 in conformity with EN 61496-1 and /-2
- Body resolution
- On board DIP-Switch selectable functions
- Failure diagnosis by LEDs
- Easy alignment and mounting procedure
- Compact dimensions
- Approvals:



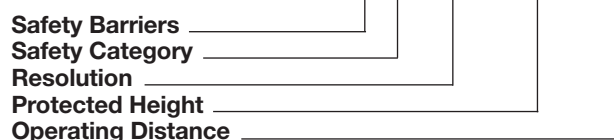
Product Description

Safety Light Curtains of Safety Category 2 in conformity with EN 61494-1 /-2. The SB2- body resolution series is provided with partial / total muting function, automatic / manual restart mode. All the software dedicated is on board and the functions above can be selected and

adjusted through the DIP switches placed in the receiver unit. The SB2 light curtain series can be effectively adopted along with the respective safety relay NL1/3-D, obtaining a complete safety package for many industrial applications.

Ordering Key

SB2-415/815-D50



Type Selection

Height of the protected area	Resolution mm (inches")	Number of beams	Overall height H	Ordering no.
515mm (20.28")	515mm (20.21")	2	652mm (25.67")	SB2-515/515-D50
815mm (32.09")	415mm (16.34")	3	952mm (37.48")	SB2-415/815-D50
915mm (36.02")	315mm (12.4")	4	1052mm (41.42")	SB2-315/915-D50
1215mm (47.83")	415mm (16.34")	4	1342mm (52.83")	SB2-415/1215-D50

General Specifications

Resolution	See Type Selection table	Other functions	Override
Scanning distance	0.5 to 50 m (19.7' to 164')	Response time	14 ms
Dip-Switch selectable functions	Automatic or manual reset Partial or total muting		

Body resolution series SB2-*/*-D50



Electrical Specifications

Power supply	24 Vac ± 20%	Light emission	Infrared (880 nm)
Emitter consumption	70 mA max	Output function	2 PNP
Receiver consumption	100 mA max	Output current	0.5 max (on single output)

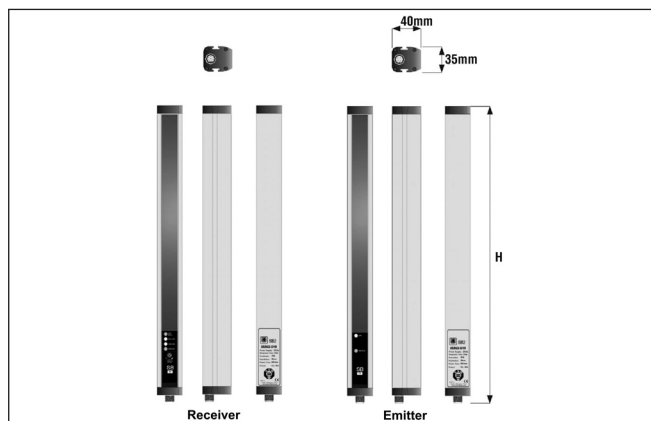
Environmental Specifications

Operating temperature	-10 to + 55°C	Storage temperature	-25 to + 70°C
-----------------------	---------------	---------------------	---------------

Mechanical Specifications

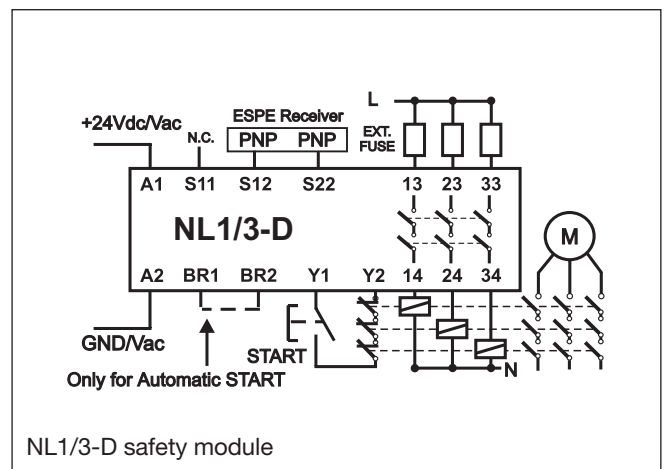
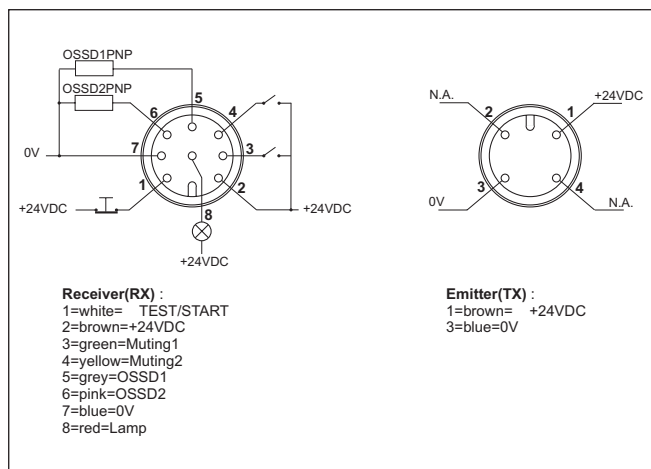
Receiver connection	M 12 8-pole connector Standard shielded cable length: 3, 5 or 10 m	Protection Degree	IP 65
Emitter connection	M 12 4-pole connector Standard shielded cable length: 3, 5 or 10 m	Housing material	Painted aluminum (yellow Ral 1028)
		Weight	1.2 Kg max/m of total height

Dimensions



H = Overall height (see Type Selection)

Wiring Diagrams



Specifications are subject to change without notice (10.01.04)