

Features and Options Available

Switches
 Mechanical or Mercury
 Normally Open/Pump Down
 Normally Closed/Pump Up
 Double Throw/Mechanical Only
 Rated Up to 2 H.P.
 Sensor or Control Floats

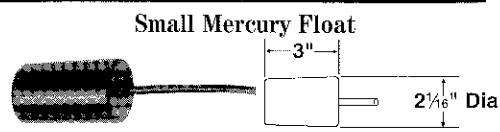
Float Material
 HIPS 140°F 60°C
 (High Impact Polystyrene)
 ABS 186°F 85°C
 (Acrylonitril Butadiene Styrene)
 PC/ABS 221°F 105°C
 (Polycarbonate ABS)

Construction
 Outer Shell-Ultrasonically Welded
 Cord is bonded with a Steel Ring
 and Epoxy potted for a Seal.
 Axially non-position sensitive.
 Ball & Switch Housing is precision
 molded for a consistent angle.

Cords
 Flexible SJOW, in various lengths.
 Molded Piggyback Plugs;
 120 VAC NEMA 5-15 P&R
 240 VAC NEMA 6-15 P&R, or Skived.
 Cord Weights, or Weighted floats
 for tetherless operations.
 Cord tie wraps available.



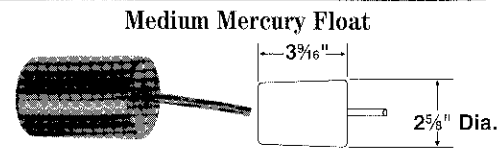
A Series	B Series
Narrow Angle Operation	90 Deg. Operating Angle
1 Amp @ 120 VAC	1 Amp @ 120 VAC
1 Amp @ 28 VDC	1 Amp @ 28 VDC



C SERIES
 Narrow Angle Operation
 13 Amp @ 120 VAC
 6 Amp @ 240 VAC
 with 16 GA. cord

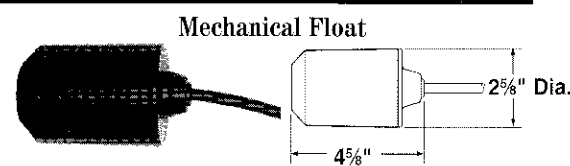
D Series
 30 Deg. Operating Angle
 13 Amp @ 120 VAC
 6 Amp @ 240 VAC
 with 16 GA. cord

E Series
 90 Deg. Operating Angle
 13 Amp @ 120 VAC
 6 Amp @ 240 VAC
 with 16 GA. cord



G Series
 90 Deg. Operating Angle
 1/2 H.P. @ 120/240 VAC
 15 Amp @ 120/240 VAC with 14 GA. cord
 13 Amp @ 120/240 VAC with 16 GA. cord
 58.8 Amp overload

H Series
 90 Deg. Operating Angle
 1 H.P. @ 120 and 2 H.P. @ 240 VAC
 15 Amp @ 120/240 VAC with 14 GA. cord
 13 Amp @ 120/240 VAC with 16 GA. cord
 96 Amp overload



K Series
 Tetherless with Internal Weight
 Narrow Angle Operation
 10 Amp @ 120/240 VAC
 1/4 H.P. @ 120/240 VAC
 34.8 Amp overload

N Series
 Narrow Angle Operation
 10 Amp @ 120/240 VAC
 1/4 H.P. @ 120/240 VAC
 34.8 Amp overload

P Series
 Narrow Angle Operation
 1/2 H.P. @ 120/240 VAC
 15 Amp @ 120/240 VAC with 14 GA. cord
 13 Amp @ 120/240 VAC
 with 16 GA. cord
 58.8 Amp overload

R Series
 Tetherless with Internal Weight
 Narrow Angle Operation
 1/2 H.P. @ 120/240 VAC
 15 Amp @ 120/240 VAC with 14 GA. cord
 13 Amp @ 120/240 VAC
 with 16 GA cord
 58.8 Amp overload

For **ACTIVE** Products & other MDI Level Control products contact factory.

How to order Liquid Level Control Floats

BASIC SWITCH SERIES

MERCURY
 A-TS-1
 B-WATS-1
 C-TS-10
 D-NATS-20
 E-WATS-20
MECHANICALS
 G-1/2 H.P. 90 DEG.
 H-1 & 2 H.P. 90 DEG.
 K-10 AMP NARROW ANGLE
 TETHERLESS
 N-10 AMP NARROW ANGLE
 P-1/2 H.P. NARROW ANGLE
 R-1/2 H.P. NARROW ANGLE
 TETHERLESS

FLOAT SIZES & STANDARD COLOR CODE

NORMALLY OPEN	NORMALLY CLOSED	SERIES of BASIC SWITCH
S-SMALL MERCURY BLACK	S-SMALL MERCURY BLACK	A and B series
M-MEDIUM MERCURY BLACK	B-MEDIUM MERCURY YELLOW	C, D, and E series
F-MECHANICAL BLACK	YW-MECHANICAL YELLOW or WHITE	G, H, K, N, P, or R series
HIGH TEMPERATURE	HIGH TEMPERATURE	HIGH TEMPERATURE
R-MECHANICAL RED	B-MECHANICAL BLUE	G, H, K, N, P, or R series

G-GREEN for **DOUBLE THROW** Mechanical Switches

DOUBLE THROW
 G, H, K, N, P, or R series

GF10W1000-W

FLOAT MATERIAL
 1-HIGH IMPACT POLYSTYRENE (HIPS)
 2-ACRYLONITRILE BUTADIENE STYRENE
 Suitable for sewage & high temp.
 (ABS) Magnum 358 HP from Dow Chemical.
 www.dow.com

CONTACTS
 O-NORMALLY OPEN
 C-NORMALLY CLOSED
 D-DOUBLE THROW

CORD TYPE and MATERIAL
 Y-18 GAUGE-CPE JACKETED
 W-16 GAUGE-CPE JACKETED
 U-14 GAUGE-CPE JACKETED
 T-16 GAUGE-TEFLON JACKETED
 (For 105 Deg C, or 221 Deg F)

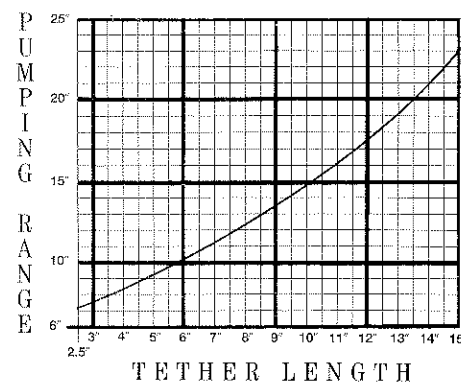
OPTIONAL
 B-INDIVIDUALLY BOXED
 W-EXTERNALLY WEIGHTED
 BW-INDIVIDUALLY BOXED,
 and EXTERNALLY WEIGHTED

CORD LENGTH
 From 01 to 50 feet.
 Lengths are in even
 foot increments.

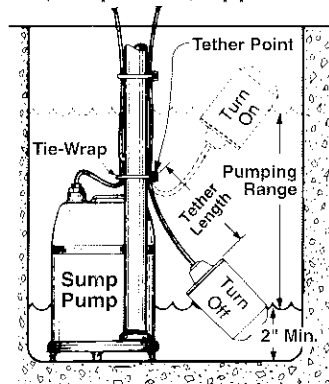
TERMINATION & LABEL DESIGNATION
 00-NO TERMINATION, STANDARD SKIVE (FIG. 4)
 NO LABEL (COMPONENT RECOGNIZED)
 C1-115 VAC SERIES PLUG (6' MIN. SEE FIG. 1)
 LABEL ON CORD (LISTED)
 F1-115 VAC SERIES PLUG (6' MIN. SEE FIG. 1)
 LABEL ON FLOAT (LISTED)
 R1-115 VAC SERIES PLUG (6' MIN. SEE FIG. 1)
 NO LABEL (COMPONENT RECOGNIZED)
 C2-230 VAC SERIES PLUG (6' MIN. SEE FIG. 2)
 LABEL ON CORD (LISTED)
 F2-230 VAC SERIES PLUG (6' MIN. SEE FIG. 2)
 LABEL ON FLOAT (LISTED)
 R2-230 VAC SERIES PLUG (6' MIN. SEE FIG. 2)
 NO LABEL (COMPONENT RECOGNIZED)
 03-3 PIN BARREL PLUG (FIG. 3)
 NO LABEL (COMPONENT RECOGNIZED)
 F0-LABEL ON FLOAT, NO TERMINATION,
 STANDARD SKIVE. (COMPONENT
 RECOGNIZED) (FIG. 4)

Tether Data

For neoprene jacketed cord
 (16-2 SJOW-A/SJOW)

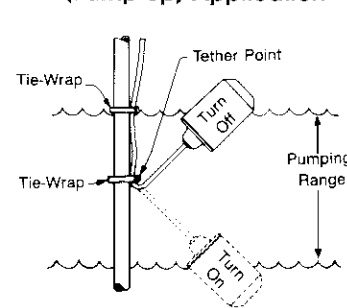


Typical Normally Open (Pump Down) Application



Tether Weights are Available. Contact the Factory.

Typical Normally Closed (Pump Up) Application



Installation Instructions

1. Attach cord, using a tie-wrap, to any convenient rigid surface as illustrated. This is known as the tether point. Do not tighten until both turn-on and turn-off levels are established.
2. To adjust for greater distance between turn-on and turn-off, increase cord length between tether point and float. For less distance between turn-on

- and turn-off, decrease cord length.
3. Make sure the float is at least 2 inches above pump base, in the lower position, before tightening tie-wrap at the tether point.
4. Plug piggy-back switch cord (current tap) into grounded outlet, then plug pump into piggy-back switch cord, and check for proper operation.

