

Proximity Sensors Inductive Flat pack Polycarbonate Housing Types EI 5510/EI 5515, DC-Types

CARLO GAVAZZI



- Sensing distance 10 or 15 mm
- Rated operational voltage: 10 to 40 VDC
- Output: DC 200 mA, NPN or PNP
- Make and break switching function
- LED indication for output ON
- Inductive, Capacitive and Photoelectric flat pack series in PC housing, IP 67
- Cable and plug versions

Product Description

Inductive proximity switch with sensing distance 10 mm flush mounted in metal or 15 mm non-flush mounted. 4-wire with both make (NO) and break (NC) switching. Flat pack housing size (W x H x D)

35 x 55 x 15 mm made in polycarbonate. Easy mounting with only two M 3.5 screws. Ideal for use in conveying and material handling applications.

Ordering Key

EI 55 10 NPA P-1



Type Selection, DC Types

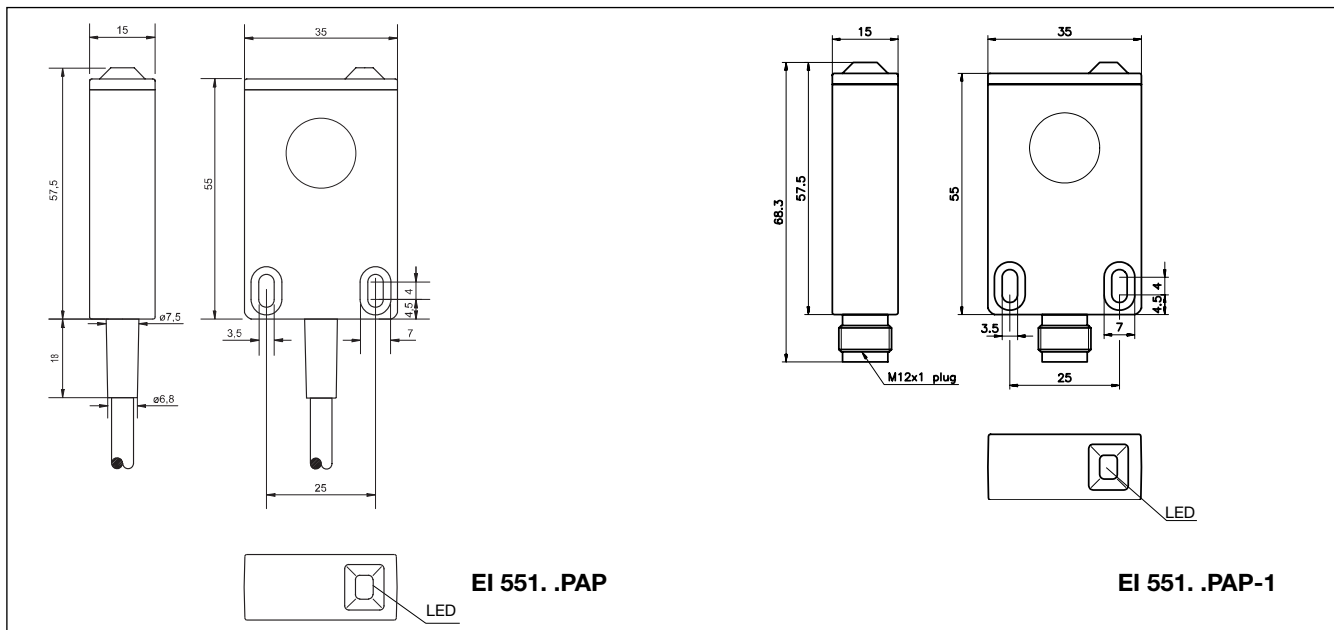
Housing diameter W x H x D	Rated operating dist. (S _n)	Ordering no. NPN/cable Make & break swit.	Ordering no. NPN/plug Make & break swit.	Ordering no. PNP/cable Make & break swit.	Ordering no. PNP/plug Make & break swit.
35 x 55 x 15	10 mm	EI 5510 NPAP	EI 5510 NPAP-1	EI 5510 PPAP	EI 5510 PPAP-1
	15 mm	EI 5515 NPAP	EI 5515 NPAP-1	EI 5515 PPAP	EI 5515 PPAP-1

Specifications

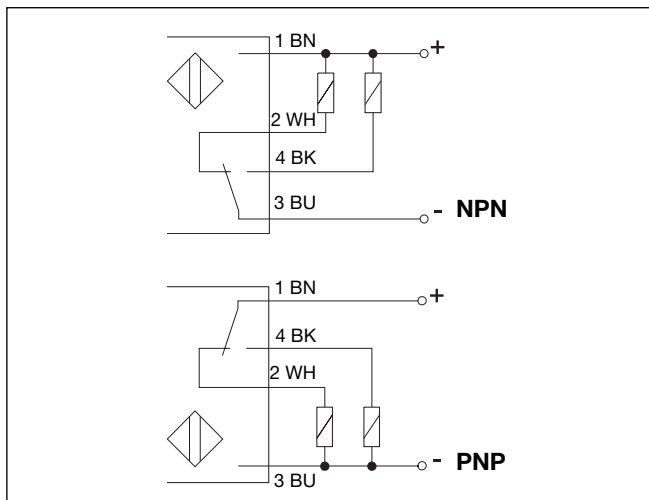
Rated operational volt. (U _a) (U _B)	12 to 36 VDC 10 to 40 VDC (ripple included)
Ripple	≤ 10%
Rated operational current (I _o) Continuous	≤ 200 mA
No-load supply current (I _o)	≤ 7 mA
Voltage drop (U _d)	≤ 2 VDC at max. load
Protection	Reverse polarity, short-circuit
Power ON delay	≤ 50 ms
Frequency of operating cycles (f)	EI 5510 500 Hz EI 5515 250 Hz
Indication for output ON	LED, yellow
Assured operating dist. (S _a)	0 ≤ S _a ≤ 0.81 S _n
Repeat accuracy (R)	≤ 5%
Hysteresis (H) (Differential travel)	1 to 15% of sensing distance
Effective operating dist. (S _r)	0.9 x S _n ≤ S _r ≤ 1.1 x S _n
Usable operating dist. (S _u)	0.9 x S _r ≤ S _u ≤ 1.1 x S _r

Ambient temperature Operating Storage	-25° to +70°C (-13° to +158°F) -30° to +80°C (-22° to +176°F)
Degree of protection	IP 67 (Nema 1, 3, 4, 6, 13)
Housing material	Polycarbonate, grey
Cable	2 m, 4 x 0.3 mm ² grey PVC, oil proof
Weight	125 g cable version 40 g plug version
EMC ratings ENV 50 140 RF Electromagnetic field AM, 80-1000 MHz, Level 3 ENV 50 204 RF Electromagnetic field PM, 80-900 MHz, Level 3 EN 61000-4-4 Fast transient Rep. freq. 5 kHz, Level 3	10 V/m 10 V/m 1 kV
	Acc. to EN 50 082-2

Dimensions



Wiring Diagrams



Accessories

- Plugs CONH1A.. serie, please refer to "Accessories".

Delivery Contents

- Inductive switch: EI 551.
- **Packaging:** plastic bag