

Specifications

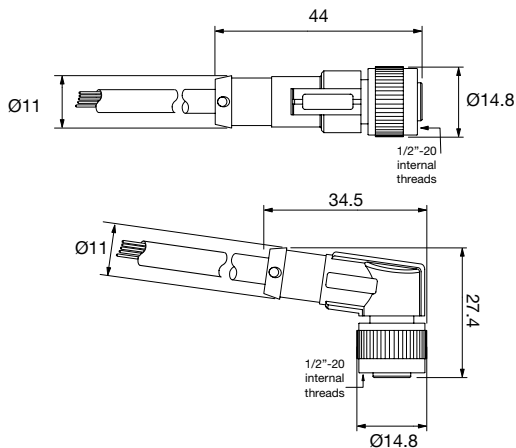
MATERIAL DATA	
MOLDED HEAD	Yellow TPU
CABLE OUTER JACKET	Yellow PVC
CONTACTS	Brass (nickel & gold plated)
CONTACT CARRIER	TPU with 20% glass fiber
COUPLING NUT	Nickel-plated brass
WIRE GAUGE	22 AWG
ELECTRICAL DATA	
NOMINAL CURRENT	4 A
RATED VOLTAGE	300V/125V (4- and 5-pin)
CONTACT RESISTANCE	≤ 5 mΩ
ENVIRONMENT DATA	
PROTECTION CLASSES	IP67
TEMPERATURE RANGE	-22 °F to +221 °F

AC Micro Cordsets

For connection to P+F “V12”, “V124” and “V125” type sensors

- Dual key
- Yellow PVC cable jacket
- Straight or right angle
- Female connection
- #22 AWG
- 3-, 4-, and 5-pin design

Dimensions (mm)



Cordsets Micro Cordsets

Model Number Selection

Face View (female)	Color Code	Outer Diameter (mm)	Length (m)	Straight	Right Angle
	1. Green 2. Red/Black 3. Red/White	5.2	2 5 10	V12-G-YE2M-PVC ⚡ V12-G-YE5M-PVC ⚡ V12-G-YE10M-PVC ⚡	V12-W-YE2M-PVC ⚡ V12-W-YE5M-PVC ⚡ V12-W-YE10M-PVC ⚡
	1. Red/Black 2. Red/White 3. Red 4. Green	5.5	2 5	V124-G-YE2M-PVC ⚡ V124-G-YE5M-PVC ⚡	V124-W-YE2M-PVC ⚡ V124-W-YE5M-PVC ⚡
	1. Red/White 2. Red 3. Green 4. Red/Yellow 5. Red/Black	5.9	2 5	V125-G-YE2M-PVC ⚡ V125-G-YE5M-PVC ⚡	V125-W-YE2M-PVC ⚡ V125-W-YE5M-PVC ⚡

⚡ Stocked item
• Typical delivery 4 weeks or less
Consult factory for all other models