

Yellow PVC Micro Cordsets

12 mm receptacle
DC sensor compatibility

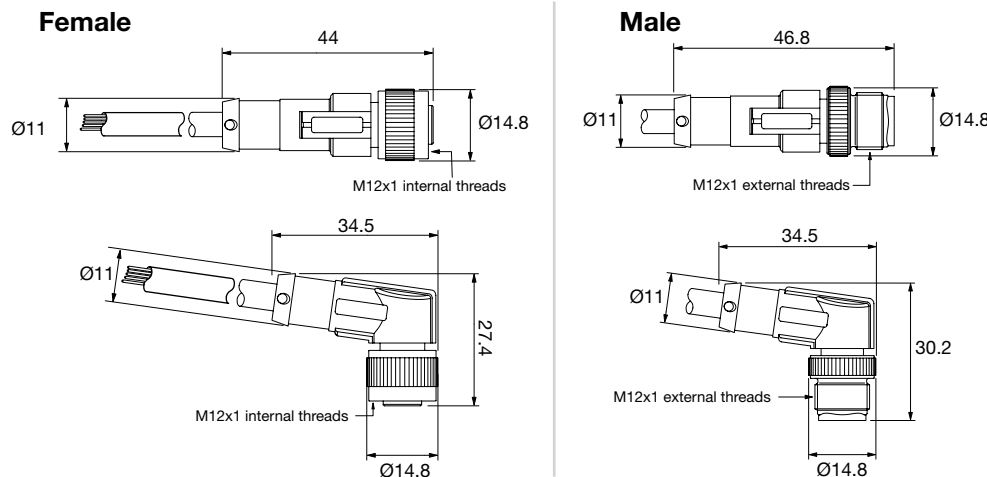
- Single key
- Yellow PVC cable jacket
- Female or male connection
- #22 AWG
- 4- and 5-pin



Specifications

MATERIAL DATA	
MOLDED HEAD	Yellow TPU
CABLE OUTER JACKET	Yellow PVC
CONTACTS	Brass (nickel & gold plated)
CONTACT CARRIER	TPU with 20% glass fiber
COUPLING NUT	Nickel-plated diecast zinc
WIRE GAUGE	22 AWG
CABLE OUTER DIAMETER	5.5 mm
ELECTRICAL DATA	
NOMINAL CURRENT	4 A
RATED VOLTAGE (4/5 pole)	300 V/125 V
CONTACT RESISTANCE	≤ 5 mΩ
ENVIRONMENT DATA	
PROTECTION CLASSES	IP68/69K
TEMPERATURE RANGE	-22 °F to +221 °F

Dimensions (mm)



- ⚡ Stocked item
- Typical delivery 4 weeks or less
- Consult factory for all other models

Model Number Selection

Face View (female)	Color Code	Length (m)	Female Straight	Female Right Angle	Male Straight	Male Right Angle
	1. Brown 2. White 3. Blue 4. Black 5. Not used	2 5 10 20	V1-G-YE2M-PVC ⚡ V1-G-YE5M-PVC ⚡ V1-G-YE10M-PVC ⚡ V1-G-YE20M-PVC ⚡	V1-W-YE2M-PVC ⚡ V1-W-YE5M-PVC ⚡ V1-W-YE10M-PVC ⚡ V1-W-YE20M-PVC ⚡	V1-G-S-YE2M-PVC ⚡ V1-G-S-YE5M-PVC ⚡	V1-W-S-YE2M-PVC ⚡ V1-W-S-YE5M-PVC ⚡
	1. Brown 2. White 3. Blue 4. Black 5. Grey	2 5	V15-G-YE2M-PVC ⚡ V15-G-YE5M-PVC ⚡	V15-W-YE2M-PVC ⚡ V15-W-YE5M-PVC ⚡		

Specifications

MATERIAL DATA	
MOLDED HEAD	Yellow TPU
CABLE OUTER JACKET	Yellow PUR
CONTACTS	Brass (nickel & gold plated)
CONTACT CARRIER	TPU with 20% glass fiber
COUPLING NUT	Nickel-plated diecast zinc
WIRE GAUGE	22 AWG
CABLE OUTER DIAMETER	5.2 mm
ELECTRICAL DATA	
NOMINAL CURRENT	4 A
RATED VOLTAGE	300 V
CONTACT RESISTANCE	≤ 5 mΩ
ENVIRONMENT DATA	
PROTECTION CLASSES	IP68/69K
TEMPERATURE RANGE	-13 °F to +176 °F

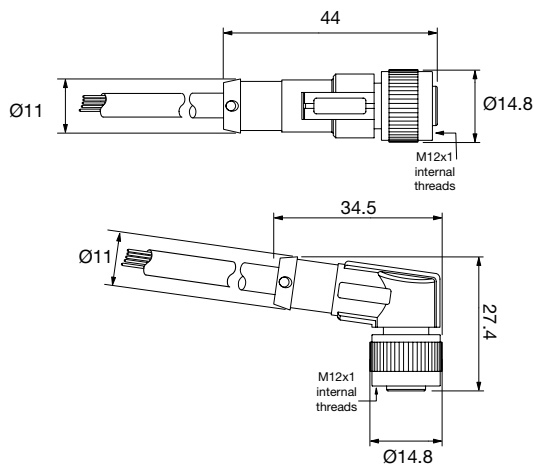
Yellow PUR Micro Cordsets

12 mm receptacle
DC sensor compatibility

- Single key
- Yellow PUR cable jacket
- Female connection
- #22 AWG
- 4-pin
- Halogen free



Dimensions (mm)



Cordsets
Micro Cordsets

Model Number Selection

Face View (female)	Color Code	Length (m)	Straight	Right Angle
	1. Brown	2	V1-G-YE2M-PUR ⚡	V1-W-YE2M-PUR ⚡
	2. White	5	V1-G-YE5M-PUR ⚡	V1-W-YE5M-PUR ⚡
	3. Blue	10	V1-G-YE10M-PUR ⚡	V1-W-YE10M-PUR ⚡
	4. Black			
	5. Not used			

- ⚡ Stocked item
- Typical delivery 4 weeks or less
- Consult factory for all other models

Yellow Irradiated PUR Micro Cordsets

12 mm receptacle
DC sensor compatibility

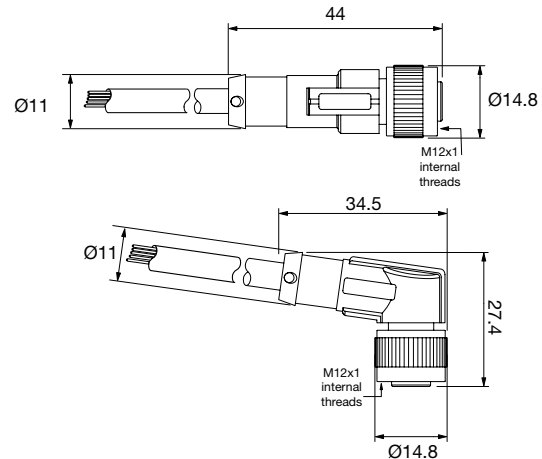
- 4-pin single key design
- Yellow irradiated PUR cable jacket
- Female version
- #18 AWG
- Ideal for welding applications
- Halogen free



Specifications

MATERIAL DATA	
MOLDED HEAD	Yellow TPU
CABLE OUTER JACKET	Yellow irradiated PUR
CONTACTS	Brass (nickel & gold plated)
CONTACT CARRIER	TPU with 20% glass fiber
COUPLING NUT	Nickel-plated diecast zinc
WIRE GAUGE	18 AWG
CABLE OUTER DIAMETER	6.2 mm
ELECTRICAL DATA	
NOMINAL CURRENT	4 A
RATED VOLTAGE	300 V
CONTACT RESISTANCE	≤ 5 mΩ
ENVIRONMENT DATA	
PROTECTION CLASSES	IP68/69K
TEMPERATURE RANGE	-40 °F to +221 °F

Dimensions (mm)



- ⚡ Stocked item
 - Typical delivery 4 weeks or less
- Consult factory for all other models

Model Number Selection

Face View (female)	Color Code	Length (m)	Straight	Right Angle
	1. Brown	2	V1-G-YE2M-PUR-H/S ⚡	V1-W-YE2M-PUR-H/S ⚡
	2. White	5	V1-G-YE5M-PUR-H/S ⚡	V1-W-YE5M-PUR-H/S ⚡
	3. Blue	10	V1-G-YE10M-PUR-H/S ⚡	V1-W-YE10M-PUR-H/S ⚡
	4. Black			
	5. Not used			