

Specifications

MATERIAL DATA	
MOLDED HEAD	Yellow PUR
CABLE OUTER JACKET	Yellow ST00W
CONTACTS	Brass (gold plated)
CONTACT CARRIER	PUR
COUPLING NUT	Nickel-plated copper zinc
WIRE GAUGE	16 AWG
ELECTRICAL DATA	
NOMINAL CURRENT	10 A
RATED VOLTAGE	600 V
CONTACT RESISTANCE	≤ 5 mΩ
ENVIRONMENT DATA	
PROTECTION CLASSES	IP68
TEMPERATURE RANGE	-22 °F to +221 °F

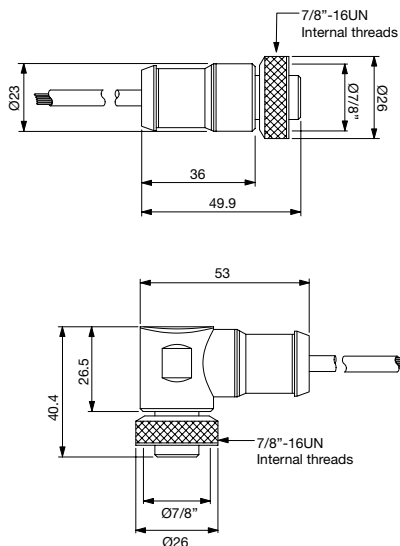
Mini Cordsets

7/8"-16 receptacle
AC and DC sensor
compatibility

- Yellow ST00W cable jacket
- Female version
- #16 AWG
- 3-, 4-, and 5-pin



Dimensions (mm)



Model Number Selection

Face View (female)	Color Code	Outer Diameter (mm)	Length (m)	Straight	Right Angle
	1. Green 2. Black 3. White	10.24	2 4 10	V93-G-YE2M-ST00W ⚡ V93-G-YE4M-ST00W ⚡ V93-G-YE10M-ST00W ⚡	V93-W-YE2M-ST00W ⚡ V93-W-YE4M-ST00W ⚡ V93-W-YE10M-ST00W ⚡
	1. Black 2. White 3. Red 4. Green	10.7	2 4	V94-G-YE2M-ST00W ⚡ V94-G-YE4M-ST00W ⚡	V94-W-YE2M-ST00W ⚡ V94-W-YE4M-ST00W ⚡
	1. White 2. Red 3. Green 4. Orange 5. Black	12.6	2 4	V95-G-YE2M-ST00W ⚡ V95-G-YE4M-ST00W ⚡	V95-W-YE2M-ST00W ⚡ V95-W-YE4M-ST00W ⚡

- ⚡ Stocked item
- Typical delivery 4 weeks or less
Consult factory for all other models