

Limit Switch Style Inductive Sensors

- 15 to 40 mm sensing ranges
- Limit switch style housing
- LED power and target indication
- Terminal connection wiring



See pages 803-854 for cordsets

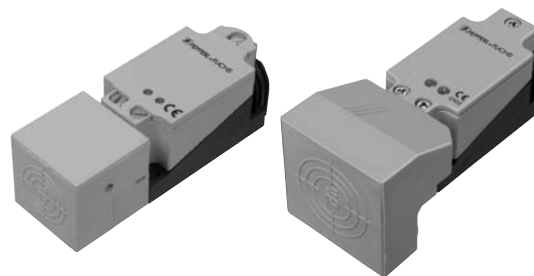


See pages 865-872 for accessories

Look for this logo in the drawings to identify our X-Series extended range sensors



X-Series™
Sensing range 25-240% beyond "traditional" inductive sensors



Technical Specifications

SUPPLY VOLTAGE	10-60 VDC
LOAD CURRENT (I_L)	200 mA max.
LEAKAGE CURRENT (OFF-STATE)	≤ 0.5 mA
OUTPUT	
Suffix E	NPN normally open
Suffix E2	PNP normally open
Suffix A	NPN normally open & normally closed
Suffix A2	PNP normally open & normally closed
VOLTAGE DROP AT I_L (MAX.)	≤ 3 V
HYSTERESIS	3-15% (5% typical)
SHORT CIRCUIT AND OVERLOAD PROTECTION	Yes
REVERSE POLARITY PROTECTED	Yes
LED INDICATION	See dimension drawings
SENSING FACE MATERIAL	PBT
STANDARDS	EN 60947-5-2
ENVIRONMENTAL PROTECTION	IP67
AMBIENT TEMPERATURE	-13 °F to +158 °F (-25 °C to +70 °C)
APPROVALS	

Terminal Connection Models

Model Number	Range (mm)	Mounting	Electrical Output	Switching Frequency	Housing Material	Electrical Connection	Dwg. No.
NJ15+U4+E	15	Flush	NPN N.O.	300 Hz	PBT w/metal base	Terminal housing	2
NJ15+U4+E2	⚡	Flush	PNP N.O.	300 Hz	PBT w/metal base	Terminal housing	2
NJ15+U4+A	•	Flush	NPN N.O. & N.C.	150 Hz	PBT w/metal base	Terminal housing	2
NJ15+U4+A2	⚡	Flush	PNP N.O. & N.C.	150 Hz	PBT w/metal base	Terminal housing	2
NJ20+U4+E	⚡	Flush	NPN N.O.	300 Hz	PBT w/metal base	Terminal housing	2
NJ20+U4+E2	⚡	Flush	PNP N.O.	300 Hz	PBT w/metal base	Terminal housing	2
NJ20+U4+A2	⚡	Flush	PNP N.O. & N.C.	150 Hz	PBT w/metal base	Terminal housing	2
NJ30+U4+E	30	Nonflush	NPN N.O.	300 Hz	PBT w/metal base	Terminal housing	2
NJ30+U4+E2	⚡	Nonflush	PNP N.O.	300 Hz	PBT w/metal base	Terminal housing	2
NJ30+U4+A	30	Nonflush	NPN N.O. & N.C.	150 Hz	PBT w/metal base	Terminal housing	2
NJ30+U4+A2	⚡	Nonflush	PNP N.O. & N.C.	150 Hz	PBT w/metal base	Terminal housing	2
NJ40+U4+E	40	Nonflush	NPN N.O.	100 Hz	PBT w/metal base	Terminal housing	3
NJ40+U4+E2	⚡	Nonflush	PNP N.O.	100 Hz	PBT w/metal base	Terminal housing	3
NCN40+U4+E2	40	Nonflush	PNP N.O.	30 Hz	PBT w/metal base	Terminal housing	2
NJ40+U4+A	40	Nonflush	NPN N.O. & N.C.	150 Hz	PBT w/metal base	Terminal housing	3
NJ40+U4+A2	⚡	Nonflush	PNP N.O. & N.C.	150 Hz	PBT w/metal base	Terminal housing	3
NCN40+U4+A2	40	Nonflush	PNP N.O. & N.C.	30 Hz	PBT w/metal base	Terminal housing	2

Consult factory for other connection options.

⚡ Stocked item

- Typical delivery 4 weeks or less
- Consult factory for all other models

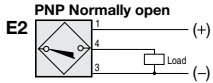
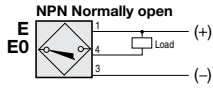
Limit Switch Style

Wiring Diagrams

3-Wire DC



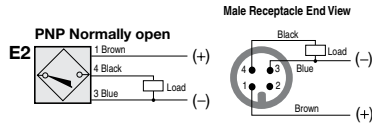
Terminal Connection



Quick Disconnect

Note: Wiring diagrams show quick disconnect pin numbers.

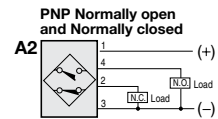
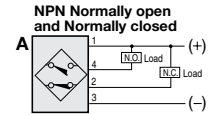
V1 Type



4-Wire DC



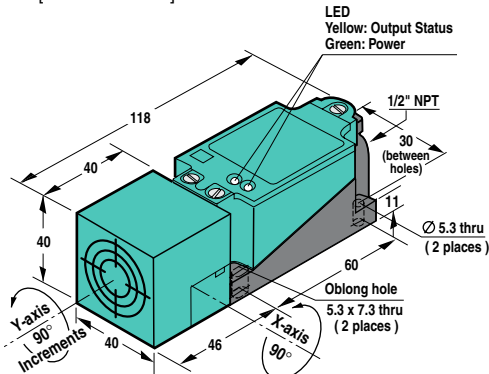
Terminal Connection



Inductive Surface Mount

Drawing No. 1

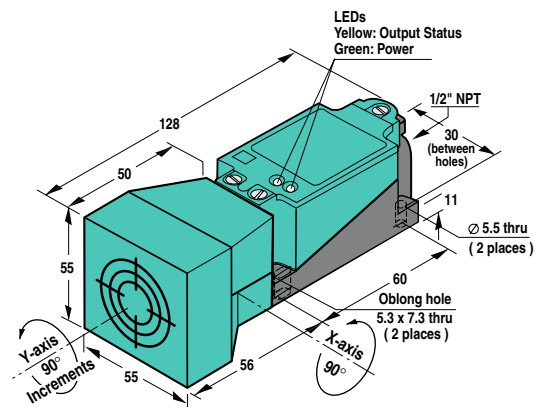
- | | |
|------------------------------|-------------------------------|
| NJ15+U4+E [NPN N.O.] | NJ30+U4+E [NPN N.O.] |
| NJ15+U4+E2 [PNP N.O.] | NJ30+U4+E2 [PNP N.O.] |
| NJ15+U4+A [NPN N.O. & N.C.] | NJ30+U4+A [NPN N.O. & N.C.] |
| NJ15+U4+A2 [PNP N.O. & N.C.] | NJ30+U4+A2 [PNP N.O. & N.C.] |
| NJ20+U4+E [NPN N.O.] | NCN40+U4+E2 [PNP N.O.] |
| NJ20+U4+E2 [PNP N.O.] | NCN40+U4+A2 [PNP N.O. & N.C.] |
| NJ20+U4+A2 [PNP N.O. & N.C.] | |



15, 20, 30, and 40 mm Sensing Range

Drawing No. 2

- | |
|------------------------------|
| NJ40+U4+E [NPN N.O.] |
| NJ40+U4+E2 [PNP N.O.] |
| NJ40+U4+A [NPN N.O. & N.C.] |
| NJ40+U4+A2 [PNP N.O. & N.C.] |



40 mm Sensing Range

3-Wire and 4-Wire DC