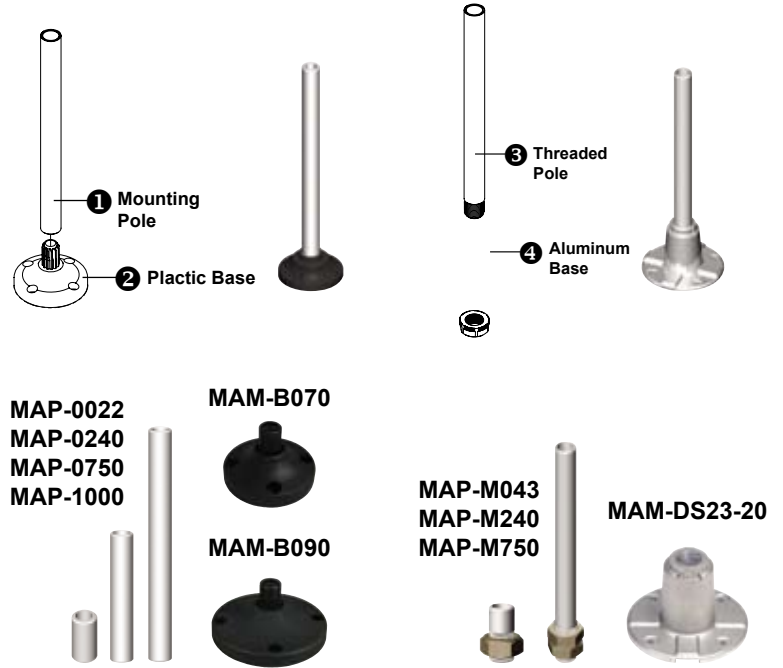


See Page 14 for Dimensions.

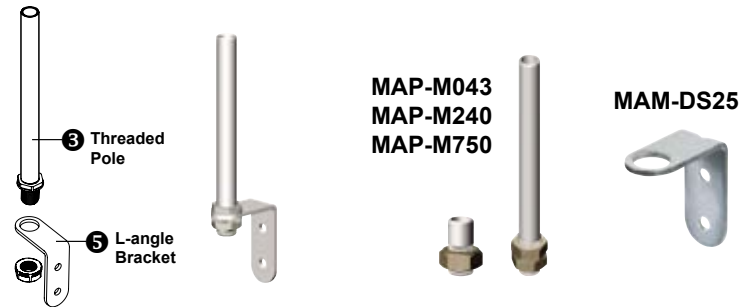
Pole Mounting with Base

Part	Part #	Description
1	MAP-0022	Ø20mm, 0.87 in (22 mm) pole
	MAP-0240	Ø20mm, 9.45 in (240 mm) pole
	MAP-0750	Ø20mm, 29.53 in (750 mm) pole
	MAP-1000	Ø20mm, 39.37 in (1000 mm) pole
2	MAM-B070	Ø70mm Plastic Base
	MAM-B090	Ø90mm Plastic Base
3	MAP-M043	Ø20mm, 1.69 in (43 mm) threaded pole with 1 nut
	MAP-M240	Ø20mm, 9.45 in (240 mm) threaded pole with 2 nuts
	MAP-M750	Ø20mm, 29.53 in (750 mm) threaded pole with 1 nut
4	MAM-DS23-20	Aluminum Base



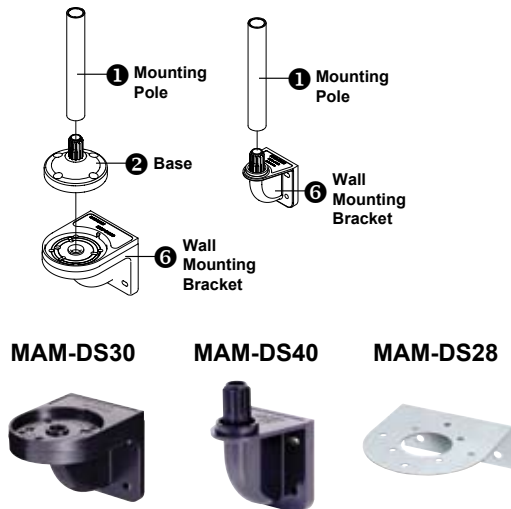
L-angle Mounting with Bracket

Part	Part #	Description
3	MAP-M043	Ø20mm, 1.69 in (43 mm) threaded pole with 1 nut
	MAP-M240	Ø20mm, 9.45 in (240 mm) threaded pole with 2 nuts
	MAP-M750	Ø20mm, 29.53 in (750 mm) threaded pole with 1 nut
5	MAM-DS25	L-angle Bracket



Wall Mounting with Bracket

Part	Part #	Description
1	MAP-0022	Ø20mm, 0.87 in (22 mm) pole
	MAP-0240	Ø20mm, 9.45 in (240 mm) pole
	MAP-0750	Ø20mm, 29.53 in (750 mm) pole
	MAP-1000	Ø20mm, 39.37 in (1000 mm) pole
2	MAM-B070	Plastic Base
6	MAM-DS30-BLK	Plastic Wall Mounting Bracket, Black (Pole & Base required)
	MAM-DS30-BGE	Plastic Wall Mounting Bracket, Beige (Pole & Base required)
	MAM-DS40-BLK	Plastic Wall Mounting Bracket, Black (Pole required)
	MAM-DS40-BGE	Plastic Wall Mounting Bracket, Beige (Pole required)
	MAM-DS28	Metal Wall Mounting Bracket (Pole & Base required)



NPT Mounting with NPT Adaptor

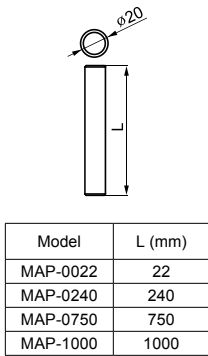


MAP-NPT1/2

# Accessories

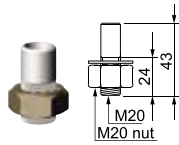
## Mounting Poles

MAP-0022  
MAP-0240  
MAP-0750  
MAP-1000

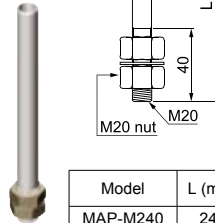


## Threaded Poles

MAP-M043



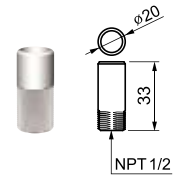
MAP-M240  
MAP-M750



Model	L (mm)
MAP-M240	240
MAP-M750	750

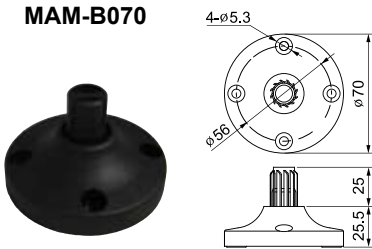
## NPT Adaptor

MAP-NPT1/2



## Mounting Bases

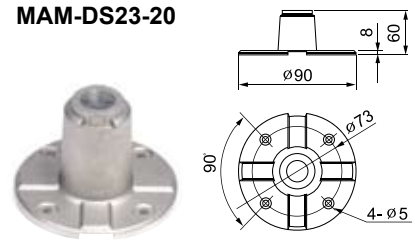
MAM-B070



MAM-B090

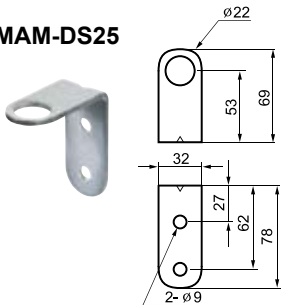


MAM-DS23-20

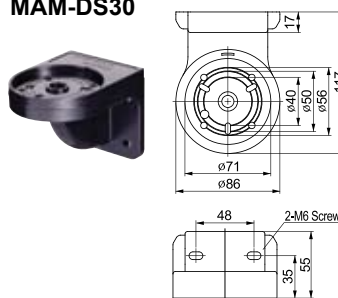


## Wall Mount Brackets

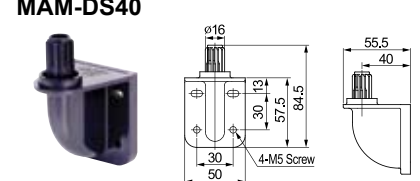
MAM-DS25



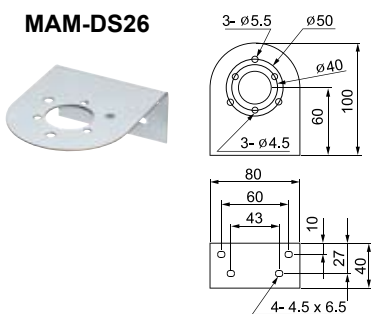
MAM-DS30



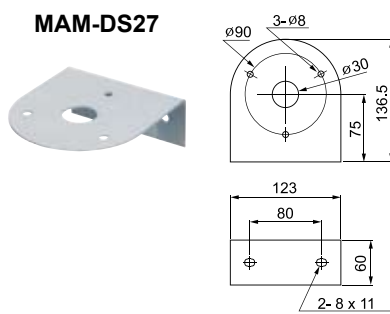
MAM-DS40



MAM-DS26



MAM-DS27



MAM-DS28

