

PWE Wall Mounted LED Tower Lights

MENICS
Signal Light & Switch

Installation Instruction

1. Safety Precautions

This may occasionally cause electric shock, fire, or mal-function.

Refer to Safety Precautions to ensure the safe use of this product.

1. Install this device away from any source of static electricity.
2. Do not operate this device in locations subject to sudden or extreme changes in temperature, or location where high humidity may result in condensation.
3. Do not operate this device in location subject to vibrations or shock.
4. Do not operate this device in location subject to excessive dust, corrosive gas, or direct sunlight.
5. Do not operate this device at any voltage other than the rated voltage identified on the name plate.
6. For proper operation, wire as shown in Wire Diagram.
7. Do not pull on wires.

2. Order Information

Part Number Configuration:

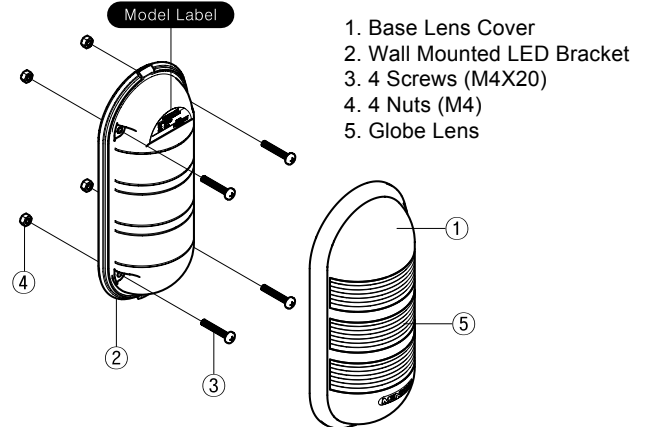
PWE C F - 3 01 - RYG
 ① ② ③ ④ ⑤

① Housing Color		Beige
	C	Chrome
② Light Style		Steady
	F	Steady & Flashing
	B	Steady with Buzzer
	Z	Steady & Flashing with Buzzer
③ Number of Stacks	1	1 Light
	2	2 Lights
	3	3 Lights
④ Power Supply	02	DC/AC 24V
	10	AC 90~240V
⑤ Lens Colors (top to bottom)	R	Red
	Y	Yellow
	G	Green
	B	Blue
	C	Clear

3. Specifications

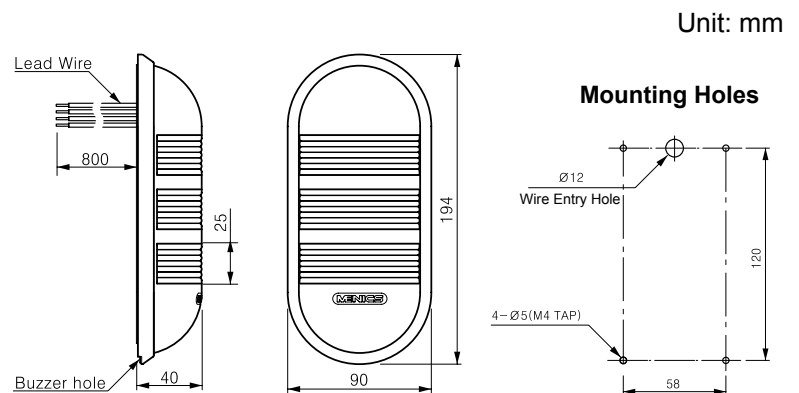
Operation / Function		Steady/Flashing/Buzzer	
Power Supply		DC/AC 24V	AC 90~240V
Sound Level		85dB / 20mA	
Current Draw	1 Stack	28 mA	30 mA
	2 Stack	63 mA	65 mA
	3 Stack	103 mA	100 mA
Lens Colors		Red, Yellow, Green, Blue, Clear	
Maximum Tiers		3	
Flashing rate		80 times/minute	
Ambient Humidity		45~85%	
Degree of Protection		IP65/ IP56 (with Buzzer)	
Weight		340g	

4. Assembly Parts



! Never disassemble, repair, or modify this device.

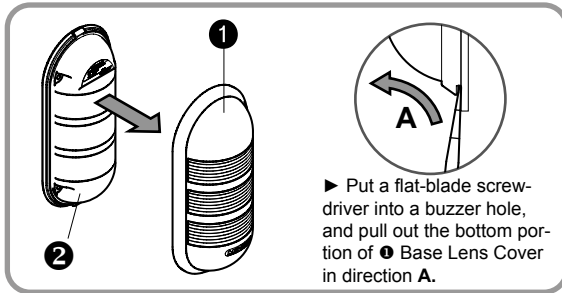
5. Dimensions



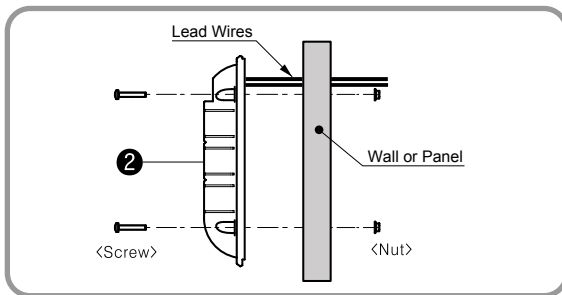
Anderson-Bolds
216-360-9800

6. Mounting Instruction

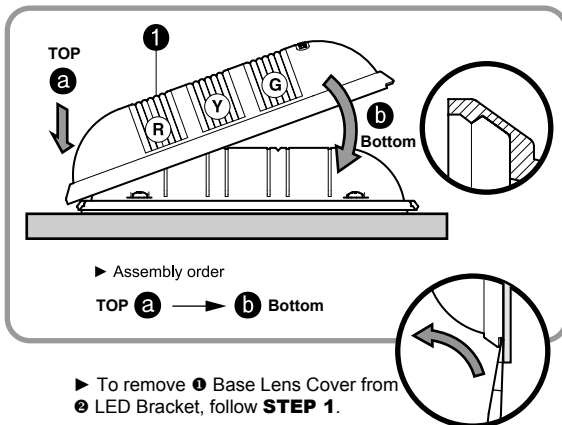
STEP 1: Remove ❶ Base Lens Cover from ❷ LED Bracket using a flat-blade screwdriver.



STEP 2: Mount ❷ LED Bracket on the wall tightly with the screws and nuts. Refer to **Dimensions** for mounting hole positions and wire entry hole size.



STEP 3: First hook top portion "a" of ❶ Base Lens Cover to ❷ LED Bracket, then press the bottom portion "b" toward the wall or panel.



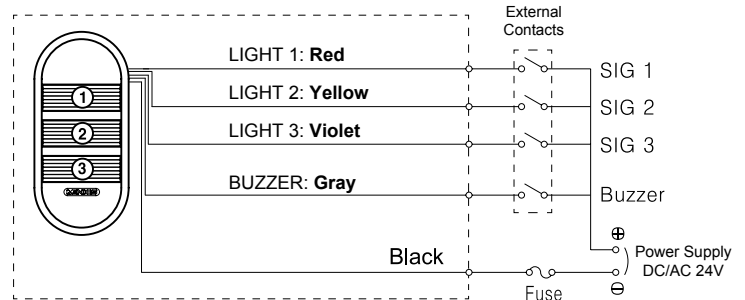
7. Wiring Diagram

DC/AC 24V

Steady Light (with Buzzer)

PWE-□02-□□□

PWEB-□02-□□□

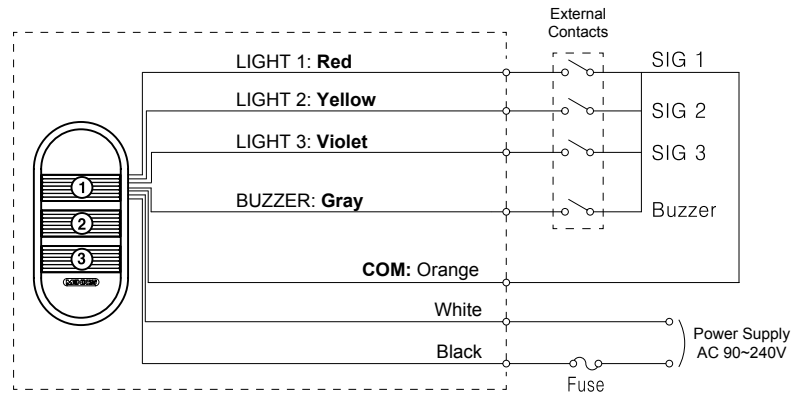


AC 90~240V

Steady Light (with Buzzer)

PWE-□10-□□□

PWEB-□10-□□□



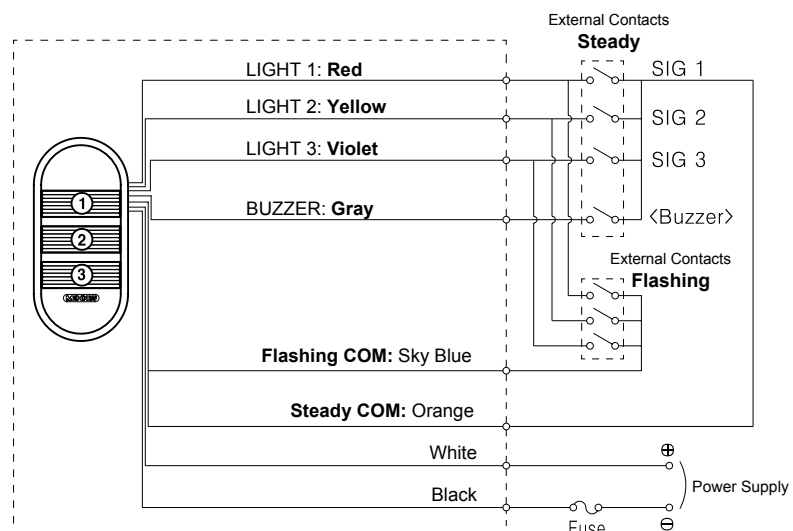
DC/AC 24V

AC 90~240V

Steady & Flashing Light (with Buzzer)

PWEF-□02-□□□ PWEZ-□02-□□□

PWEF-□10-□□□ PWEZ-□10-□□□



! Do not connect Flashing COM (sky blue) wire to Steady COM (orange) wire. Doing so may result in malfunction or damage in internal circuit.